



EXPORT

114EX
English

24-hour service on our website

Download manuals and high resolution photos
Contact information • Distributor locator

- Always available



When logged in as a customer you can also:

View your prices • Exact stock levels • Place orders
See previous orders

ISO-certification

We are ISO certified according to ISO 9001 and ISO 14001



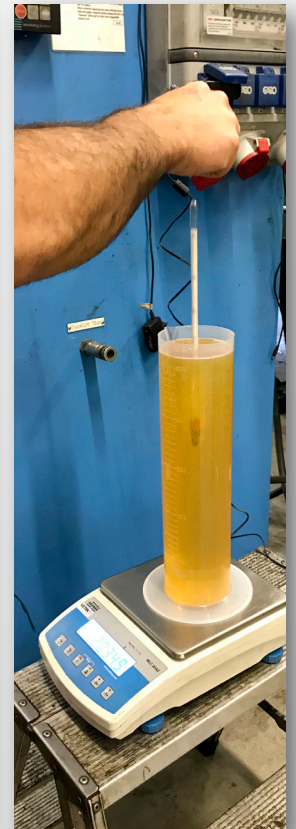
Project management

Complete solutions from drawings to commissioning



Service contracts

Calibration & continuous service of equipment



MOVING AND MEASURING FLUIDS

SINCE 1898

We offer products and services in:

- Fluid handling
- Exhaust and fume extraction
- High powered vacuum systems

Our goal is to increase and improve your:

- Profitability
- Efficiency
- Environmental
- Ergonomics

A complete partner for design and total solutions, we offer:

- Consultation
- Installation
- Service

Orion is part of Alentec & Orion AB, which develops, manufactures and markets equipment and services in pumping, measuring and dosing for vehicle workshops and industry. The head office and warehouse are located in Ålta, south-east of Stockholm, Sweden

Orion products are sold all over the world. We have distributors in over 70 countries and sales offices in the UK, Belgium and France.

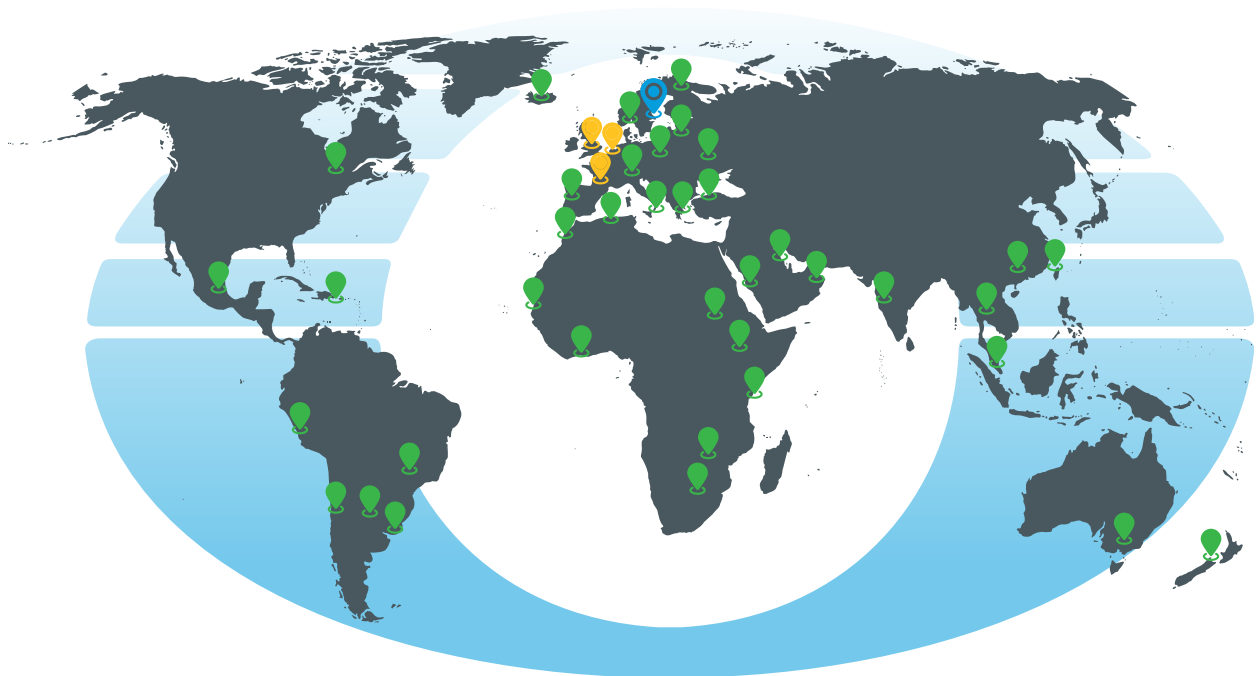
The environmental aspect is always an important part of both the planning, installation and service process. For our operations, we have established a process-based quality and environmental management system, according to the requirements of ISO 9001 for quality management systems and ISO 14001 for environmental management systems.




Head office and warehouse




Manufacturing and R&D



 Head office

 Subsidiary

 Distributor (for more information, see www.orionlube.com)

Alentec & Orion AB reserve the rights to make any changes in the technical specifications and for any misprints in the catalogue.

1	Grease equipment	7
	Air operated grease pumps and accessories.....	8
	Pump ram systems.....	10
	Hose reels.....	11
	Grease control valves and accessories.....	12
	Mobile grease pumps.....	14
	Hand operated grease pumps.....	17
	Cordless grease pumps.....	18
	Grease nozzles.....	19
	Specialty products.....	20
	Hydraulic grease fittings.....	20
	Installation accessories.....	23
	Accessories.....	23
2	Oil equipment	25
	Air operated oil pumps.....	26
	Installation kits for 227 & 228-series pumps.....	27
	Electric pumps for oil.....	29
	Air operated diaphragm pump.....	30
	Spring operated hose reels.....	31
	Valves and meters.....	32
	Distribution kits.....	33
	Distribution kits for 1.000 l containers.....	34
	Mobile oil distributors.....	35
	Mobile oil dispensers.....	36
	Portable oil dispensers, oil bar.....	38
	Hand operated pumps.....	39
	Drum taps, oil cans, measures etc.....	41
	Installation accessories.....	42
3	Waste oil	45
	Air operated suction & waste oil pumps.....	46
	Accessories.....	47
	Pit waste oil equipment.....	48
	Equipment for pits.....	48
	Mobile waste oil units.....	48
	Waste oil equipment.....	50
	Suction units and drain pans.....	51
	Vacuum pump.....	52
4	Air	53
	Spring operated hose reels.....	54
	Air treatment units (FRL).....	55
	Air line accessories.....	56
	Quick-couplings for compressed air.....	57
5	Waterbased fluids/detergents	59
	Air operated liquid pumps.....	60
	Mixing units.....	62
	Spring operated hose reels.....	63
	Hose end controls.....	64
	Spray handles and mobile sprayer.....	65
	Drum pumps, hand operated.....	66
	Drum tap, measures, etc.....	66
	Installation accessories.....	67
6	Diesel	69
	Electric diesel pumps.....	70
	Tryckluftdrivna pumpar för diesel.....	71
	Air operated diaphragm diesel pumps.....	71
	Spring operated hose reels.....	72
	Funnels and jerry cans.....	72

7	AdBlue	75
	AdBlue® electric pumps	76
	Air operated AdBlue® pumps	77
	Spring operated hose reels	77
	AdBlue® nozzles & meters	79
	Hand operated drum pump	80
	AdBlue® accessories	80
8	Hose reels	81
	Hose reels, open	82
	Hose reels, enclosed	85
	Electric cable reels	87
	Hose reel accessories	87
9	Hose end control	91
	Grease control valve	92
	Water and antifreeze control valves	93
	Detergent	94
	Blow gun & tyre inflators	94
	Diesel nozzles	94
	AdBlue® nozzles	95
	Oil & glycol control valves	96
	Control valve and hose end meter high-flow	96
	Mechanical hose end meter	97
	Digital hose end meter	98
	Accessories for hose end control valves	98
	Line meters	99
10	Monitoring	101
	NEX·U·®	104
11	Drum handling	111
	Trolleys	112
	Safety drum trolley	113
	Safety pallet	113
	Drum lift	113

101	22	12541	8	18300	10	21200	66	22815	26	24567	32
102	22	12542	8	18305	11	21200	80	22819	26	24567	96
107	22	12650	8	18340	10	21205	39	22820	60	24568	32
108	22	12651	8	18370	10	21210	40	22825	60	24568	96
109	22	12652	8	18380	10	21210	66	22850	26	24599	39
110	22	12750	8	18400	10	21211	40	22852	26	24599	40
120	22	12751	8	18440	10	21211	66	22875	46	24621	79
121	22	12752	8	18470	10	21215	66	23132	110	24623	79
127	22	12755	9	18507	23	21230	41	23154	110	24756	32
129	22	12756	9	18542	23	21230	66	23171	109	24756	97
143	22	12757	9	18543	23	21232	41	23183	109	24757	32
171	22	12820	9	18544	23	21232	66	23191	109	24757	97
185	22	12821	9	18545	23	21300	66	23192	109	24759	71
208	22	12822	9	18546	23	21499	40	23193	109	24759	79
208ROSTFRI	22	12825	9	18547	23	21500	39	23197	109	24759	95
211	22	12830	9	18548	23	21501	40	23417	110	24778	99
211ROSTFRI	22	12831	9	18561	23	21503	39	23435	110	24779	99
501	20	12832	9	18569	10	21504	37	23437	110	24792	32
502	20	12840	9	18569	24	21505	40	23577	79	24792	97
504	20	12841	9	18570	10	21506	39	23577	95	24793	97
504ROSTFRI	20	12842	9	18570	24	21507	37	23580	79	24797	32
505	20	13517	18	18571	10	21509	51	23580	95	24797	97
505B	20	13532	18	18571	24	21574	38	23603	71	24891	62
505ROSTFRI	20	13534	18	18572	10	21578	38	23604	71	24971	78
507	20	14001	19	18572	24	21605	42	23604	94	25016	35
509	20	14005	19	18573	10	21605	67	23605	71	25050	99
509F	20	14006	19	18573	24	21619	51	23605	94	25051	79
509FROSTFRI	20	14042	17	18575	10	21625	42	23606	71	25051	93
509ROSTFRI	20	14042	93	18575	24	21625	66	23606	94	25051	95
511	20	14043	17	18576	10	21626	42	23607	71	25051	99
512	20	14043	93	18576	24	21626	66	23607	94	25052	79
512ROSTFRI	20	14044	17	18577	10	21627	42	23608	71	25052	93
513K	20	14044	93	18577	24	21627	66	23608	94	25052	95
514	21	14046	19	18578	10	21632	42	23609	71	25052	99
514B	20	14047	17	18578	24	21632	67	23610	71	25055	99
515	20	14047	93	19002	21	21635	51	23792	106	25057	99
515ROSTFRI	20	14048	19	19009	21	21650	40	23801	104	25060	99
516	20	14050	19	20205	93	21652	40	23802	104	25060	105
519	20	14052	17	20210	64	21656	37	23803	105	25061	100
519F	20	14052	93	20210	93	21657	42	23804	106	25061	105
525	21	14055	19	20215	64	21657	66	23820	104	25062	100
535	21	14056	19	20215	93	21658	37	23821	104	25062	105
535F	21	14057	19	20255	64	21670	38	23822	107	25065	99
538	21	14067	19	20255	93	21675	72	23823	107	25065	105
547K	20	14068	19	20277	64	21676	72	23824	107	25105	82
576	21	14069	19	20277	93	21677	72	23826	108	25135	31
577	21	14071	19	20300	98	21685	73	23827	108	25135	82
580	20	14072	19	20305	32	21686	73	23828	108	25160	99
580ROSTFRI	20	14073	19	20305	96	21687	73	23829	107	25160	100
582	20	14074	19	20316	32	21690	73	23830	107	25161	99
583	21	14076	19	20316	96	22057	14	23831	104	25161	100
584	20	14512	19	20322	98	22152	35	23835	107	25205	83
1669B	21	14514	19	20352	98	22153	35	23836	105	25232	31
1684B	21	14516	19	20357	32	22154	36	23850	104	25232	83
1697	21	14517	19	20357	96	22155	36	23860	105	25235	31
1698	21	14519	19	20371	32	22158	36	23861	105	25235	83
1822A	22	14523	19	20371	98	22170	36	23862	105	25406	83
1824	22	14528	19	20372	98	22190	106	23863	105	25436	31
11015	20	14560	19	20376	32	22206	61	23864	105	25436	72
11028	15	14565	19	20376	96	22206	61	23865	105	25436	83
11030	16	14612	12	20377	32	22206	77	23866	105	25455	31
11116	16	14612	92	20377	96	22208	61	23868	105	25455	72
11118	16	14615	12	20391	98	22208	61	23870	108	25455	83
11205	17	14615	92	20396	32	22210	30	23871	108	25510	113
11210	17	14713	18	20396	96	22210	30	23872	108	25606	84
11214	17	14715	19	20400	98	22230	61	23874	108	25608	84
11226	17	14720	13	20422	32	22230	61	23875	108	25638	31
11235	16	14720	92	20422	98	22230	77	23876	108	25638	84
11236	16	14726	17	20452	98	22238	61	23877	108	25656	31
11237	16	14740	13	20471	98	22238	61	23878	108	25656	84
11238	16	14740	92	20472	98	22241	61	23881	108	25657	31
11239	16	14745	100	20491	98	22241	61	23882	108	25657	72
11310	16	15105	82	20522	106	22241	77	23883	109	25657	84
11639	15	15125	11	20552	106	22310	30	23886	109	25665	31
11710	18	15125	82	20571	106	22310	30	23887	104	25665	72
11711	18	15212	11	20572	106	22320	46	23890	109	25665	84
11712	18	15212	83	20591	106	22325	61	23890M25	109	25805	84
11713	16	15225	11	21012	39	22325	61	23890M50	109	25885	72
11714	16	15225	83	21013	39	22332	30	23890M125	109	25885	84
11715	16	15436	12	21022	40	22332	30	23890M250	109	26016	35
11750	17	15436	83	21027	41	22332	46	23891	109	26205	85
12121	15	16212	12	21027	66	22332	71	23892	109	26232	31
12130	15	16212	85	21028	41	22422	65	23893	109	26232	85
12131	15	16225	12	21028	66	22440	27	24098	65	26235	31
12134	15	16225	85	21040	41	22441	27	24098	94	26235	85
12135	15	16412	12	21040	51	22442	27	24099	65	26405	86
12200	14	16412	86	21044	41	22443	27	24099	94	26432	32
12201	14	16425	12	21044	51	22450	27	24105	64	26432	86
12205	14	16425	86	21047	41	22451	27	24105	93	26435	32
12210	14	18070	13	21047	66	22582	52	24106	64	26435	86
12213	14	18070	92	21048	41	22585	52	24106	93	26502	50
12214	14	18071	13	21048	66	22590	52	24108	65	26511	113
12220	14	18071	92	21065	38	22760	27	24108	94	28009	43
12221	14	18072	13	21066	38	22762	27	24135	38	28009	67
12225	14	18072	92	21067	37	22770	60	24188	63	28010	43
12230	14	18073	13	21076	36	22771	60	24189	62	28010	67
12233	14	18073	92	21077	36	22772	60	24207	89	28011	43
12234	15	18102	18	21122	66	22775	60	24225	65	28011	67
12235	15	18103	18	21122	80	22776	60	24225	94	28012	43
12305	14	18104	18	21130	40	22777	60	24228	68	28012	67
12325	14	18105	18	21131	66	22800	26	24506	41	28013	43
12517	17	18200	11	21131	80	22802	46	24509	38	28013	67
12527	17	18201	22	21132	66	22805	26	24556	96	28015	43
12540	8	18205	11	21200	39	22810	26	24557	96	28015	67

28022	44	29142	113	46724	64	75203	95	301296	56
28022	67	29144	113	46724	87	75204	79	301298	56
28059	44	29300	47	48059	108	75204	95	737959	50
28059	67	29310	50	48080	108	75205	79	1018095	51
28078	43	29830	100	48081	108	75205	95	1018096	51
28078	68	29831	100	48500	57	75210	79	1085076	52
28079	43	35241	83	48501	57	75210	95	1085112	52
28079	68	36241	85	48502	57	75211	79	1120510	17
28080	43	36441	72	48503	57	75211	95	1120520	17
28080	68	36441	86	48504	57	75232	77	1120530	17
28090	43	38041	108	48510	57	75232	83	1121020	17
28127	108	39004	50	48511	57	75235	77	1125357	23
28234	41	39049	49	48512	57	75300	80	1125372	23
28235	41	39068	48	48520	58	75355	78	1315630	17
28235	80	39073	50	48521	58	76232	78	1315656	18
28236	41	39075	50	48522	58	76232	85	1353201	18
28238	41	39076	51	48530	57	76235	78	1353401	18
28238	80	39077	50	48531	57	76235	85	1353402	18
28239	41	39405	49	48540	57	76432	78	1355020	18
28272	43	39406	49	48541	57	76432	86	1355022	18
28304	108	39407	49	48542	57	76435	78	1385111	16
28309	68	39408	49	48543	57	76435	86	1385111	23
28310	43	39417	49	48550	58	92124	89	1385112	16
28310	68	39505	48	48551	58	92124	89	1485016	23
28311	43	39506	48	48552	58	92126	34	1825106	15
28311	68	39507	48	48553	58	92126	34	1988211	47
28321	71	39508	48	48590	57	92126	42	2026154	23
28327	108	39517	48	48591	57	92128	35	2026154	29
28329	47	39552	49	48592	57	92128	42	2026154	56
28330	33	39560	51	48594	57	92162	89	2026154	67
28331	33	39710	48	48600	57	92163	89	2085478	50
28332	33	39711	48	48601	57	92165	89	2086100	35
28335	34	42009	55	48602	57	92166	89	2125753	42
28336	34	42103	23	48603	57	92167	89	2125753	67
28337	34	42103	29	49010	57	92169	89	2145895	96
28339	41	42103	55	52413	36	92170	88	2246122	96
28340	38	42103	67	52510	29	92173	88	2285467	93
28352	34	42104	55	52515	29	92175	88	2285470	96
28353	34	42105	23	52520	29	92182	88	2285471	96
28354	34	42105	55	52525	29	92183	88	2285472	96
28355	34	42105	67	52527	29	92185	88	2285473	96
28356	35	42107	55	53611	87	92190	88	2285474	96
28357	35	42110	56	53621	76	92192	88	2285475	96
28367	65	42112	56	53621	87	92193	88	2285479	96
28367	94	42115	56	53631	87	92194	88	2295014	50
28389	113	42120	56	53635	87	92195	88	2295015	50
28393	113	42121	56	53640	87	98876	30	2295016	50
28394	113	42123	56	53641	87	99390	48	2295117	50
28395	113	42124	56	53650	87	99600	12	2310033	41
28400	80	42125	55	53700	70	99600	92	2310034	41
28409	68	42126	56	53701	70	99601	10	2310035	41
28420	43	44503	56	53710	70	99602	10	2310035	80
28421	43	44503	94	53711	70	99604	10	2310037	41
28482	112	44513	57	53712	70	99611	10	2310038	41
28506	42	44514	57	53713	70	99612	10	2310039	41
28506	67	44515	57	53714	70	99620	27	2310043	41
28513	56	44516	57	53730	70	99622	29	2310044	41
28515	56	44521	57	53731	70	99623	29	2310045	41
28524	42	44531	57	53736	70	99624	28	2326013	47
28524	67	44635	56	53740	70	99625	27	2330287	109
28526	112	44640	56	53741	70	99625	60	2345386	15
28528	112	45135	54	54509	38	99626	28	2390169	47
28552	42	45135	82	55125	82	99626	61	2390178	47
28552	67	45222	54	55225	83	99627	28	2395069	48
28553	42	45222	63	55520	76	99628	28	2395080	48
28553	67	45222	83	55530	76	99629	28	2395140	48
28557	112	45225	54	55531	76	99630	61	2410561	64
28557	112	45225	63	56225	85	99631	46	2410561	93
28585	42	45225	83	56425	86	99632	46	2410564	64
28586	23	45235	54	65135	63	99648	29	2410564	93
28587	42	45235	63	65135	82	99649	29	2410661	64
28590	23	45235	83	65232	63	99656	29	2410661	93
28591	23	45638	54	65232	83	99659	29	2410664	64
28592	42	45638	84	65235	63	99662	47	2410664	93
28592	67	45665	54	65235	83	99666	30	2455000	96
28594	42	45665	84	65455	63	99666	62	2490171	47
28595	42	46222	54	65455	78	99666	71	2490172	47
28595	67	46222	85	65455	83	99667	30	2490310	50
28623	42	46225	54	66232	63	99667	71	7350012	80
28625	42	46225	63	66232	85	99668	62	7350013	80
28639	68	46225	85	66235	63	99668	77	7350020	80
28645	112	46235	54	66235	85	99669	62	7350021	80
28646	112	46235	63	66432	64	99670	30	9320120	34
28649	68	46235	85	66432	86	99675	60	38660100	71
28651	112	46315	55	66435	64	99676	61	40801327	112
28652	112	46315	64	66435	86	99724	28	A1184	22
28653	112	46315	77	70210	79	99725	27	A1186	22
28654	76	46315	87	70210	95	99725	60	A1188	22
28654	77	46324	55	70215	79	99726	28	A1190	22
28666	113	46324	64	70215	95	99726	61	M101FZ	22
28667	112	46324	87	75010	76	99727	28	M101RO	22
28670	42	46405	86	75011	76	99729	28	NA7206	20
28671	42	46422	55	75012	76	99730	61	NA58051	20
28913	87	46422	86	75020	76	99731	46	ND6151	22
29055	98	46425	55	75060	77	99732	46	ND6160	22
29086	33	46425	64	75135	78	99762	47	ND6160ROSTFRI	22
29086	68	46425	86	75135	82	99766	30	ND6161	22
29086	98	46435	55	75200	79	99766	62	ND6172	22
29090	33	46435	64	75200	95	99766	71	ND6172RO	22
29090	68	46435	86	75201	79	99767	30	P499	21
29090	98	46715	55	75201	95	99767	71	P499G	21
29108	48	46715	64	75202	79	99770	30	TEC500	20
29120	44	46715	87	75202	95	99775	60		
29138	51	46724	55	75203	79	99776	61		

1 Grease equipment

Air operated grease pumps and accessories	8
Pump ram systems.....	10
Hose reels	11
Grease control valves and accessories.....	12
Mobile grease pumps	14
Hand operated grease pumps	17
Cordless grease pumps.....	18
Grease nozzles.....	19
Specialty products	20
Hydraulic grease fittings	20
Installation accessories	23
Accessories	23

Grease pump, pressure ratio 55:1

Air operated grease pump. For mobile equipment. Bung adapter G 2" included.

Technical data

Ratio	55:1
Capacity	600 gr/min
Air connection	1/4" (F) BSP
Maximum air pressure	1 (10) MPa (bar)
Recommended air pressure	0,4 (4) - 0,7 (7) MPa (bar)
Outlet	1/4" (F) BSP

Part No	For container	Length
12540	12-20 kg	710 mm
12541	50 kg	925 mm
12542	180 kg	1120 mm



Grease pump, pressure ratio 60:1

Air operated grease pump. For both mobile and fixed installations. Bung adapter G 2" included.

Technical data

Ratio	60:1
Capacity	1000 gr/min
Air connection	1/4" (F) BSP
Maximum air pressure	1,0 (10) MPa (bar)
Recommended air pressure	0,4 (4) - 0,7 (7) MPa (bar)
Outlet	3/8" (F) BSP

Part No	For container	Length
12750	12-20 kg	700 mm
12751	50 kg	1000 mm
12752	180 kg	1180 mm



Divorced grease pumps 60:1

Air operated grease pump with separated air motor from pump tube. Avoids "sticky" grease to enter into the air motor. For both mobile and fixed installations. Bung adapter G 2" included.

Technical data

Ratio	60:1
Capacity	1000 gr/min
Air connection	1/4" (F) BSP
Maximum air pressure	1 (10) MPa (bar)
Recommended air pressure	0,4 (4) - 0,7 (7) MPa (bar)
Outlet	3/8" (F) BSP

Part No	For container	Length
12650	12- 20 kg	890 mm
12651	50 kg	1190 mm
12652	180 kg	1370 mm



Grease pump, pressure ratio 80:1

Air operated grease pump. For both mobile and fixed installations. Bung adapter G 2" included.

Technical data

Ratio	80:1
Capacity	730 gr/min
Air connection	1/4" (F) BSP
Maximum air pressure	1,0 (10) MPa (bar)
Recommended air pressure	0,4 (4) - 0,7 (7) MPa (bar)
Outlet	3/8" (F) BSP

Part No	For container	Length
12755	12-20 kg	700 mm
12756	50 kg	1000 mm
12757	180 kg	1180 mm



Heavy duty grease pumps (4 1/2" air motor)

High capacity heavy duty grease pump for simultaneous fluid distribution to multiple dispense points, or for pumping long distances (up to 100m). Heavy duty pumps should be used together with pump ram system.

Technical data

Air connection	1/2" (F) BSP
Outlet	1/2" (F) BSP

Part No	Ratio	Capacity	For container	Maximum air pressure
12825	25:1	16000 gr/min	180 kg	1,4 (14) MPa (bar)
12820	40:1	11000 gr/min	Bulk	1,4 (14) MPa (bar)
12822	40:1	11000 gr/min	180 kg	1,4 (14) MPa (bar)
12821	40:1	11000 gr/min	50 kg	1,4 (14) MPa (bar)
12832	70:1	7500 gr/min	180 kg	0,7 (7) MPa (bar)
12831	70:1	7500 gr/min	50 kg	0,7 (7) MPa (bar)
12830	70:1	7500 gr/min	Bulk	0,7 (7) MPa (bar)



Heavy duty grease pumps (6" air motor)

High capacity heavy duty grease pump for simultaneous fluid distribution to multiple dispense points, or for pumping large distances (up to 100m). Heavy duty pumps should be used together with pump ram system.

Technical data

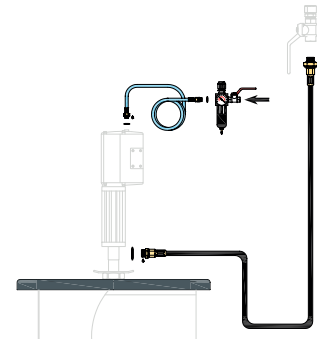
Air connection	1/2" (F) BSP
Outlet	1/2" (F) BSP

Part No	Ratio	Capacity	For container	Maximum air pressure
12842	80:1	8000 gr/min	180 kg	0,7 (7) MPa (bar)
12840	12:1	40000 gr/min	Bulk	0,7 (7) MPa (bar)
12841	80:1	8000 gr/min	50 kg	0,7 (7) MPa (bar)



Installation kit for pump in drums

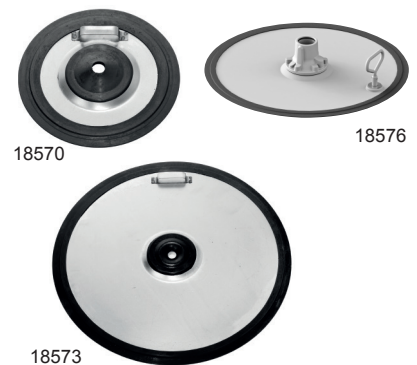
Includes all the necessary components to install an air operated grease pump in a drum and connect to the air supply and distribution pipework. (Pump and follower plate not included).



Part No	Model
99601	Installation kit grease for 180 kg drums. (127 series) (pump not included)
99602	Installation kit grease for 50 kg drums. (127 series) (pump not included)
99604	Installation kit grease for 20 kg drums (127 series) (pump not included)
99611	Installation kit grease for 180 kg drums. (128 series)
99612	Installation kit grease for 50 kg drums. (128 series)

Follower plates

Eliminate cavitation and help pump priming. Rubber flange minimises waste by wiping the inner drum wall. Can be used with pump tube diameters 26-42 mm.



Part No	For container	Dimension	Pump
18569	12,5 kg	230-260 mm	127-ser
18570	18-20 kg	265-290 mm	127-ser
18575	25 kg	300-330 mm	127-ser
18571	50 kg	340-360 mm	127-ser
18572	50 kg	365-395 mm	127-ser
18573	180 kg	560-590 mm	127-ser
18576	50 kg	330-370 mm	128-ser
18577	50 kg	360-405 mm	128-ser
18578	180 kg	550-590 mm	128-ser

Two post ram

Function like a lift, but also exert downward force. Ram air cylinders push pump and follower plate into the fluid. The rams feature two-posts that exert downward force on pump to maintain prime. It also lifts the pump to ease change over of empty fluid containers. Kit includes pump, follower plate and ram.

Technical data

Length	610 mm
Width	991 mm
Height	1320 - 2250 mm

Part No	Model	For container
18300	Two post ram without pump	185 kg
18340	Two post ram with pump 40:1	185 kg
18370	Two post ram with pump 70:1	185 kg
18380	Two post ram with pump 80:1	185 kg



Single post ram

Gravity assisted pump ram, the weight of the pump and accessories create a pressure on the grease and aiding pump prime. Ram also lifts pump to ease change over of empty fluid containers. Kit includes pump, follower plate and ram.

Technical data

Height	1630 - 2630 mm
--------	----------------

Part No	Model	For container
18400	Single post hoist (w/o pump)	-
18440	Single post ram with pump 12822 40:1	50 kg
18470	Single post ram with pump 12832 70:1	185 kg



Pump hoist

Pump hoist for heavy duty pumps, making drum changes faster, easier and safer. The risk of contaminants from the pump being placed on the floor during drum changes is eliminated. The arm can swing freely serving up to three drums. Only for heavy duty pumps with eye bolt.

Technical data

Height 1630 - 2630 mm

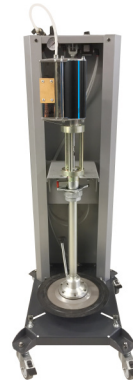
Part No	Model
18305	One post pump hoist



Pump ram for sticky grease 12-20 kg

Mobile unit designed for use with hard to pump, sticky and high viscosity greases up to NLGI 3. A pneumatic piston elevates the pump for replacing an empty pail. The pneumatic piston also pushes down when the pump is in use.

Part No	Model
18200	Mobile pump hoist 12-20 kg with pump
18205	Mobile pump hoist 12-20 kg without pump



Series ORM

Robust open hose reel made of lacquered steel sheet with oil -resistant reinforced hose. Can be equipped with pivotable bracket, article no 28913. For mounting in any position on wall or ceiling. Recommended mounting height, at least 2.5m above floor. For more information, see Chapter 8 hose reels.

Part No	Media	Dimension	Maximum working pressure	Hose length
15125	Grease	10 (3/8") mm (inch)	35 (350) MPa (bar)	15 m



Series ORS

Open hose reel with low weight made of aluminum with oil -resistant reinforced hose. Can be equipped with pivotable bracket, article no 28913. For mounting in any position on wall or ceiling. Recommended mounting height, at least 2.5m above floor. For more information, see Chapter 8 hose reels.

Part No	Media	Dimension	Maximum working pressure	Hose length
15212	Grease	6,35 (1/4") mm (inch)	35 (350) MPa (bar)	10 m
15225	Grease	10 (3/8") mm (inch)	35 (350) MPa (bar)	15 m



Series ORL

Robust open hose reel made of lacquered steel sheet with oil -resistant reinforced hose. Can be equipped with pivotable bracket, article no 28913. For mounting in any position on wall or ceiling. Recommended mounting height, at least 2.5m above floor. For more information, see Chapter 8 hose reels.



Part No	Media	Dimension	Maximum working pressure	Hose length
15436	Grease	12,5 (1/2") mm (inch)	27,5 (275) MPa (bar)	20 m

Series CRO

Cased hose reel made of aluminum with oil -resistant reinforced hose. Can be equipped with pivotable bracket, article no 28913. For mounting in any position on wall or ceiling. Recommended mounting height at least 2.5m above floor. For more information, see Chapter 8 hose reels.



Part No	Media	Dimension	Maximum working pressure	Hose length
16212	Grease	6,35 (1/4") mm (inch)	35 (350) MPa (bar)	10 m
16225	Grease	10 (3/8") mm (inch)	35 (350) MPa (bar)	15 m

Series CRK

Cased hose reel made of lacquered steel sheet with oil -resistant reinforced hose. Can be equipped with pivotable bracket, article no 28913. For mounting in any position on wall or ceiling. Recommended mounting height at least 2.5m above floor. For more information, see Chapter 8 hose reels.



Part No	Media	Dimension	Maximum working pressure	Hose length
16412	Grease	6,35 (1/4") mm (inch)	35 (350) MPa (bar)	10 m
16425	Grease	10 (3/8") mm (inch)	35 (350) MPa (bar)	15 m

Grease control valve

Control valve with outlet tube or hose and hydraulic nozzle.

Part No	Maximum working pressure	Connection
14612	50 (500) MPa (bar)	1/4" (F) BSP
14615	50 (500) MPa (bar)	1/4" (F) BSP
99600	50 (500) MPa (bar)	1/4" (F) BSP

14612



14615



99600



Grease meter

Digital grease meter, equipped with current dispense display and resettable and non-resettable totalisers. Digital display powered by two 1,5 V AAA batteries. Accuracy +/- 3 %.

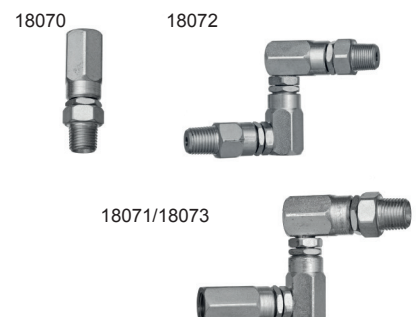
Part No	Capacity	Maximum working pressure	Connection
14720	1000 gr/min	50 (500) MPa (bar)	1/4" (F) BSP
14740	2500 gr/min	70 (700) MPa (bar)	1/8" (F) BSP



Swivels for grease

Makes it possible to handle grease hoses with ease even at high pressure. For best results use a straight swivel between pump and distribution hose and a Z-swivel between hose and grease control valve.

Part No	Thread	Maximum working pressure
18070	1/4" (F)-(M) BSP	50 (500) MPa (bar)
18071	1/4" (F)-(M) BSP	50 (500) MPa (bar)
18072	1/4" - 1/2"-27 (M) NPT	50 (500) MPa (bar)
18073	1/4" - 1/8" (F)-(M) BSP	50 (500) MPa (bar)



Mobile grease pumps for 12 to 180 kg drums

Consisting of pump (pressure ratio 60:1 or 80:1), 1/4" quick coupling, drum lid, grease hose, z-swivel and grease control valve.

With 60:1 grease pump capacity appr. 1.000 g/min.

With 80:1 grease pump capacity appr. 730 g/min.

Part No	Ratio	For container	Hose length	Trolley
12200	60:1	12-20 kg	2 m	-
12201	60:1	12-20 kg	2 m	28528
12205	60:1	50 kg	3 m	28528
12305	60:1	50 kg	3 m	28526
12210	60:1	180 kg	3 m	28667
12213	60:1	180 kg	3 m	28645
12214	60:1	180 kg	10m hose reel	28645
12220	80:1	12-20 kg	2 m	-
12221	80:1	12-20 kg	2 m	28528
12225	80:1	50 kg	3 m	28528
12325	80:1	50 kg	3 m	28526
12230	80:1	185 kg	3 m	28667
12233	80:1	185 kg	3 m	28645



Mobile pump for chassis lube

Complete unit for 185 kg drum. Consisting of pump 22762, pressure ratio 15:1, 1/2"-hose (4 m) with quick coupling for transferring grease to vehicle chassis lube containers. Delivered with trolley for 185 kg drum, drum cover and follower plate.

Part No

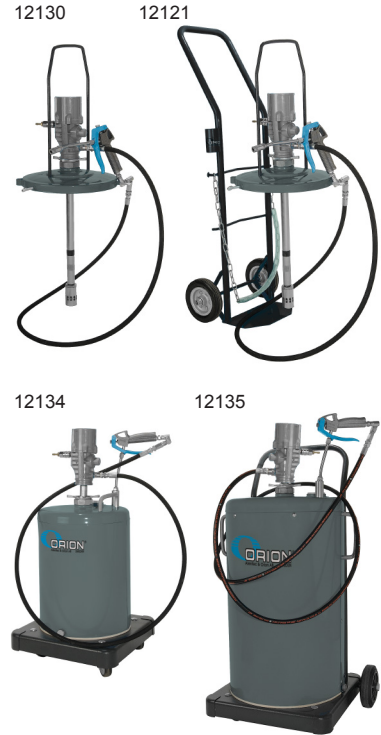
22057



Mobile grease pumps for 12-20 kg and 50 kg drums

Consisting of a pump (pressure ratio 55:1) capacity approx. 600 g/minute, 1/4" quick coupling, drum lid, grease hose, z-swivel and grease control valve.

Part No	Ratio	For container	Hose length	Trolley
12130	55:1	12-20 kg	2 m	-
12121	55:1	12-20 kg	2 m	28528
12131	55:1	50 kg	3 m	28528
12134	55:1	12-20 kg	2 m	25510
12135	55:1	50 kg	3 m	26511



Mobile grease pumps, "Deluxe", for 12-20 kg and 50 kg drums

Consists of a pump fitted to the lid of a protective container, incl. air coupling, grease hose, z-swivel and grease control valve. The container is mounted on a trolley fitted with four wheels.

Part No	Ratio	For container	Hose length	Trolley
12234	60:1	12-20 kg	2 m	25510
12235	60:1	50 kg	3 m	25611



Empty packaging

Part No	Model
1825106	Bucket Ø295 x 375 mm 20 l
2345386	Empty container 60L (Ø365mm x 680mm)



Portable grease pump

Portable grease pump, complete with hose and hydraulic coupling.

Part No	Capacity	Dimension	Maximum pressure	Volume
11028	10-20 gr/stroke	380x170x620 mm	35 (350) MPa (bar)	16 kg
11639	30 gr/stroke	490x240x639 mm	15 (150) MPa (bar)	16 kg



High pressure grease pump

Pump mounts directly to a standard grease drum. Handle, drum lid, high pressure hose, outlet tube and hydraulic coupling included.

Part No	Capacity	Dimension	Maximum pressure
11116	2 gr/stroke	Ø 265-310 mm	35 (350) MPa (bar)
11118	2 gr/stroke	Ø 285-330 mm	35 (350) MPa (bar)



Foot operated grease pump

Heavy duty, durable and compact. Grease hose (1,5 metres) and hydraulic nozzle included.

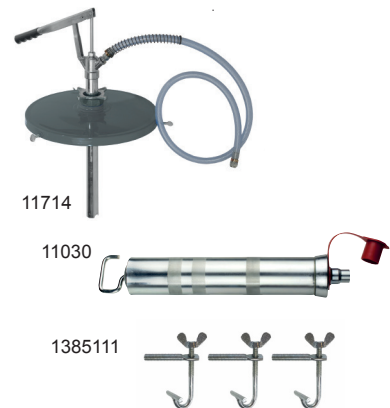
Part No	Capacity	Maximum pressure	Volume
11310	2 gr/stroke	50 (500) MPa (bar)	5 kg



Grease reservoir filler pump

Medium pressure pump with 1,5 m hose for centralised grease reservoir filling. Quick connectors ordered separately.

Part No	Model	For container	Dimension
11713	Loader pump for grease 12-18 kg drums.	12-18 kg	265- 310 mm
11714	Loader pump for grease 20 kg drums	20 kg	285-330 mm
11715	Loader pump for grease 50 kg drums	50 kg	350-395 mm
11030	Filler pump for 400/500g cartridges		
1385111	T-screw kit for plastic buckets (20 kgs).		



Heavy duty grease reservoir filler pump

For loading bulk grease into chassi systems with 1,5 m hose, follower plate, drum lid and quick connector for centralised grease reservoir filling. Capacity 50 gr/stroke.

Part No	Model	For container	Dimension
11238	Loader pump for grease reservoir 5 kg 192-215 mm	5 kg	192-215 mm
11237	Loader pump for grease reservoir 15-18 kg 240-300 mm	15-18 kg	240-300 mm
11235	Loader pump for grease reservoir 20 kg 260-305 mm	20 kg	
11239	Loader pump for grease reservoir 25 kg 312-342 mm	25 kg	312-342 mm
11236	Loader pump for grease reservoir 50 kg 385-435 mm	50 kg	385-435 mm
1385112	T-screw kit for plastic buckets (20 kgs) for 1123X		



Lever grease pump

For use either with bulk grease (filled by hand or by loader pump) or the international 400 g lubricant cartridge, Ø 53 x 237 mm. Outlet tube with hydraulic coupling included.

Part No	Model	Capacity	Maximum pressure
11205	Lever grease pump. Standard.	0,8 gr/stroke	35 (350) MPa (bar)
1120510	11205 with 200 mm grease hose - part.no 14042	0,8 gr/stroke	35 (350) MPa (bar)
1120520	11205 with 300 mm grease hose - part.no 14043	0,8 gr/stroke	35 (350) MPa (bar)
1120530	11205 with 450 mm grease hose - part.no 14044	0,8 gr/stroke	35 (350) MPa (bar)
11214	Lever grease pump. With large container (1000 cm ³),	0,8 gr/stroke	35 (350) MPa (bar)
14726	Adapter for lever grease pumps for using MLS threaded cartridges		
1315630	Empty screw-in cartridge		
11210	Lever grease pump. Industry.	0,8 gr/stroke	70 (700) MPa (bar)
1121020	Lever grease pump. Industrial with outlet hose 300mm.	0,8 gr/stroke	70 (700) MPa (bar)
11750	Lever grease pump. Heavy duty industrial version with outlet hose. 0,8 gr/stroke 75 (750) MPa (bar)	0,8 gr/stroke	75 (750) MPa (bar)



11205



11214



11210



11750

Lever grease pump (single hand operation)

Grease gun, operated by one hand, for use with either bulk grease (filled by hand or by loader pump) or the international 400 g lubricant cartridge, Ø 53 x 237 mm (Ø 2 3/32" x 9 1/3"). Outlet tube with hydraulic coupling (4 jaws, Ø 14 mm) included.

Part No	Capacity	Maximum pressure
11226	0,7 gr/stroke	45,5 (455) MPa (bar)



11226

Air operated grease pump

Complete with air bleeder valve and connection thread for loader fitting (part No 18002), outlet with nozzle (4 jaws, Ø14 mm). Each operation of the trigger delivers approx. 1cm³ of grease. Pressure ratio 60:1.

Part No	Capacity	Maximum pressure	Volume
12517	1 cm ³	1 (10) MPa (bar)	500 cm ³
12527	1 cm ³	1 (10) MPa (bar)	1000 cm ³



12517

Grease outlet hoses

High pressure hose, 4,8 mm i.d. nitrile rubber with one polyester braid PN 40 MPa (400 bar) and swaged couplings.

Part No	Thread	Length
14042	1/8" (M) BSPT	200 mm
14043	1/8" (M) BSPT	300 mm
14044	1/8" (M) BSPT	450 mm
14047	1/8" (M) BSPT	1000 mm
14052	1/8" (M) BSPT	2500 mm



Loader pump for grease pumps

For loading bulk grease into lever or air operated grease guns. Capacity 50 gr/stroke. Included loader nipples for Ø 9 and Ø 12 mm.

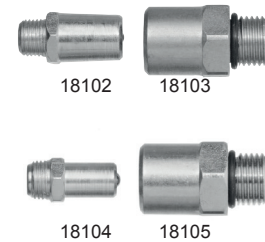
Part No	Model	Dimension
11710	Loader pump for grease 12- 18 kg Ø265-310 mm	Ø265-310 mm
11711	Loader pump for grease 20 kg Ø285- 330 mm	Ø285- 330 mm
11712	Loader pump for grease 50 kg drums.	Ø350- 395 mm
14713	Filling adapter for screw-in type cartridges	
1315656	Dust cover for 14713	



Loader nipple

For loading bulk grease into 11200 and 12500-series pumps with a loader pump.

Part No	Dimension	Connection
18102	Ø12,5 mm	1/8" (M) BSP
18103	Ø12,5 mm	1/4" (M) BSP
18104	Ø9 mm	1/8" (M) BSP
18105	Ø9 mm	1/4" (M) BSP



Cordless grease pump, 20V Li-Ion, heavy duty

For use with either bulk grease (filled by hand or by loader pump) or the international 400 g lubricant cartridge, Ø 53 x 237 mm. High pressure delivery up to 50 MPa (500 bar) and 100 / 160 gr/min., has a capacity to deliver 40 cartridges per battery charge (4,0 Ah). Supplied with one Li-Ion high capacity 20 V battery, fast charger, 1 metre high pressure flexible hose with hydraulic coupler, bleeder valve and loader nipple. A built in display shows remaining grease level, battery level and how much grease has been dispensed. Built-in LED flashlight. All delivered in a heavy duty carrying case.

Part No	Model	Capacity	Maximum pressure
13534	Battery powered grease gun 20V 4 Ah	100 / 160 gr/min	50 (500) MPa (bar)
13532	Battery powered grease gun 20V 2 Ah	100 / 160 gr/min	50 (500) MPa (bar)
1353401	Battery for 13534 4 Ah 20 V DC	4 Ah	
1353201	Battery for 13532 2 Ah 20 V DC	2 Ah	
1353402	Charger 230V for 13532 and 13534		



Cordless grease pump, 18V Li-Ion

For use with either bulk grease (filled by hand or by loader pump) or the international 400 g lubricant cartridge, Ø 53 x 237 mm. High pressure delivery up to 45 MPa (450 bar) and 160 gr/min., has a capacity to deliver 5 cartridges per battery charge. Supplied with one high-capacity (Li-Ion) 18 V battery, fast charger, 1 metre high pressure flexible hose with hydraulic coupler, bleeder valve and loader nipple. All delivered in a heavy duty carrying case.

Part No	Capacity	Maximum pressure
13517	160 gr/min	45 (450) MPa (bar)
1355020		
1355022		

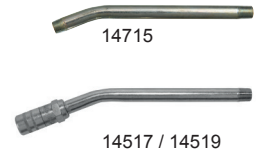


13517

Grease outlet tube

Grease pump outlet tubes. Connection thread: G1/8" (m).

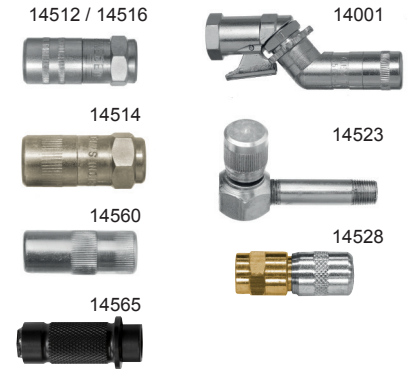
Part No	Dimension	Thread	Nozzle
14715	Ø10 mm	1/8" (M)-(M) BSP	-
14517	Ø15 mm	1/8" (F) BSP	14512
14519	Ø18 mm	1/8" (F) BSP	14514



Hydraulic nozzle

Connection thread on all nozzles G1/8" (f).

Part No	Model	Dimension	Jaws
14512	Hydraulic nozzle with connection thread G1/8" (f) Ø15 mm 4 jaws.	Ø15 mm	4 pce
14516	Hydraulic nozzle with non return valve G1/8" (f) Ø15 mm 4 jaws.	Ø15 mm	4 pce
14514	Hydraulic nozzle G1/8"(f) Ø18 mm 3 jaws. Ø18 mm	Ø18 mm	3 pce
14560	Hydraulic nozzle Ø14 mm 1/8" (F) NPTF	Ø14 mm	3 pce
14565	Hydraulic nozzle, lock-on G1/8" Ø14 mm - quick release	Ø14 mm	
14001	Hydraulic nozzle G1/8" (f) Ø18mm 3 jaws, adjustable 360°	Ø18 mm	3 pce
14523	Relief valve for relieving of locked nozzles, 90°		
14528	Relief valve for relieving of locked nozzles, straight		



Slip-sleeve, needle nozzles

For connection to nozzle 14512 or 14560.

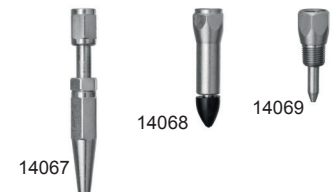
Part No	Model	Length
14071	Slip-Sleeve connector needle nozzle Ø 6 mm.	33 mm
14072	Slip-Sleeve connector needle nozzle Ø 6 mm 45°	33 mm
14073	Slip-Sleeve connector needle nozzle Ø 1,5 mm	45 mm
14074	Slip-Sleeve connector needle nozzle Ø 2 mm.	45 mm
14076	Slip-Sleeve connectors 4 different in a plastic box.	



Needle nozzles

Connects with G1/8" (f) to a hose or a rigid tube.

Part No	Model
14067	Needle nozzle with protection G1/8"(f).
14068	Needle nozzle with rubber tip G1/8"(f).
14069	Needle nozzle G1/8"(f).



Button head nozzles

Connects with G1/8" (f) to a hose or a rigid tube.

Part No	Seals	For grease fitting	Height
14048	Metal	Ø16 / 15 mm 6-hex mm	20 mm
14046	Metal	Ø16 / 15 mm 6-hex mm	17 mm
14055	Rubber	Ø16/ 15 mm 6-hex mm	22 mm
14050	Rubber	Ø22 mm	28 mm
14056	Rubber	Ø22 mm	44 mm
14057	Metal	Ø22 mm	21 mm



LUB nozzles

Connects with G1/8"(f) to a rigid tube.

Part No	Model
14005	LUB-nozzle connects with G1/8"(f) to a rigid tube. Zerk
14006	LUB-Nozzle connects with G1/8"(f) to a rigid tube. Flush



The grease joint rejuvenator

Simply fill the tool with a light oil and with a few taps the joint will open. The grease joint rejuvenator will allow a clogged grease fitting and / or joint to take on grease by injecting a light viscosity oil into the grease joint via the grease fitting, thus breaking up and removing any dirt, rust or debris. The purpose of this tool is to free up the joint and the fitting enabling them to be greased. When using the tool, be sure to bleed any air out that may be trapped in the tool body. Once the tool is installed onto the grease fitting, only a tapping of the piston is required to open a joint.



Part No	Model
11015	Grease joint rejuvenator.

Hydraulic grease fittings

Manufactured according to DIN 71412.

Material: Zinc coated steel, hardened head.

Stainless Steel equivalent to SS 2346 (AISI303).

Principal: Jaws grip the fitting head, metallic seal (rubber on certain models). The nozzle is twisted off the fitting when greasing is complete.

Part No	Model
509F	Grease fitting, R1/8", straight
509FROSTFRI	Grease fitting, R1/8", straight Stainless steel (AISI 303)
509	Grease fitting, 1/8"NPT, straight
509ROSTFRI	Grease fitting, 1/8"NPTF, straight Stainless steel (AISI 303)
512	Grease fitting, G1/4", straight
512ROSTFRI	Grease fitting, G1/4", straight, Stainless steel (AISI 303)
515	Grease fitting, G3/8", straight
504	Grease fitting, M6X1, straight
504ROSTFRI	Grease fitting, M6X1, straight, Stainless steel (AISI 303)
505	Grease fitting, M8X1, straight
505ROSTFRI	Grease fitting, M8X1, straight, stainless steel
507	Grease fitting, M8X1,25, straight
580	Grease fitting, M10X1, straight
582	Grease fitting, M10X1,5, straight
580ROSTFRI	Grease fitting, M10X1, straight, stainless steel
516	Grease fitting, W1/4", straight
511	Grease fitting, W3/8", straight
513K	Grease fitting, 1/4"-28 SAE-LT, straight
TEC500	Grease fitting, Ø6mm, drive fitting
501	Grease fitting, Ø8 mm, drive fitting Straight
502	Grease fitting, Ø 5/16" drive fitting Straight



509 / 509F



501



502

Hydraulic grease fittings 45°

Part No	Model
519F	Grease fitting, R1/8", 45°
519	Grease fitting, 1/8" NPTF, 45°
NA58051	Grease fitting, G1/4", 45°
NA7206	Grease fitting, M6X1, 45°
505B	Grease fitting, M8X1, 45°
515ROSTFRI	Grease fitting, M8X1 45°, stainless steel
514B	Grease fitting, M8X1,25, 45°
584	Grease fitting, M10X1, 450
547K	Grease fitting, 1/4"-28 SAE-LT, 45°



519FROSTFRI



514B

Hydraulic grease fittings 90°

Part No	Model
535F	Grease fitting, R1/8", 90°
535	Grease fitting, 1/8" NPTF, 90°
538	Grease fitting, G1/4", 90°
576	Grease fitting, M6X1, 90°
577	Grease fitting, M8X1, 90°
514	Grease fitting, M8X1,25, 90°
583	Grease fitting, M10X1, 90°
525	Grease fitting, 1/4"-28 SAE-LT, 90°, 16 mm Long under hexagon



535



514

Hydraulic grease fittings, long

Part No	Model
1669B	Grease fitting, 32 mm under hexagon Straight 1/8" (M) NPTF
1684B	Grease fitting, length 54mm Straight 1/8" (M) NPTF
1697	Grease fitting, length 19mm under hexagon Straight M6X1
1698	Grease fitting, length 21mm Straight 1/4"-28 SAE-LT

1669B



Grease fitting selection

Part No	Description
19002	Assortment box with the 17 most commonly used hydraulic fittings. Contains an assortment of G1/4", G1/8", G3/8", M10x1, M8x1 and M6x1, in 45° and 90° design, in all a total of 350 fittings. The box is made of crush proof plastic.
19009	Contains an assortment of M6x1, M8x1,25, M10x1 and G 1/8" in straight, 45° and 90° design, in all a total of 140 fittings. The box is made of plastic with 12 different compartments.



19009



19002

Protection cover for grease fittings

Protects hydraulic grease fittings from ingress of dirt.

Part No	Model
P499	Protection cover (red) for grease fittings
P499G	Protection cover (yellow) for grease fittings

P499



P499G



LUB grease fittings

Material: Zinc coated steel.

Principal: The pump nozzle is pressed against the fitting, metallic seal.

Part No	Model
109	LUB grease fitting, Straight R 1/8"
127	LUB grease fitting, straight Straight G1/8"
129	LUB grease fitting, Straight G1/4" Funnel nozzle
185	LUB grease fitting Straight M6X1
107	LUB grease fitting Straight M8X1,25
108	LUB grease fitting Straight M10X1
110	LUB grease fitting Straight W5/16"
101	LUB grease fitting, straight Straight Ø6 mm Drive Fitting
121	LUB grease fitting Straight Ø6 mm Drive Fitting Funnel nozzle
102	LUB grease fitting Straight Ø8 mm Drive Fitting
120	LUB grease fitting, Straight Ø8 mm Drive Fitting
143	LUB grease fitting 45° G1/8" Funnel nozzle



129



112



119B

Button head fittings

Material: Zinc coated steel / stainless steel equivalent to SS 2346 (AISI303).

Principal: The nozzle grips the flange of the fitting when slid or pushed on, metallic or rubber seal.

Part No	Model
1824	Button head fitting Ø22 mm G1/4"
ND6151	Button head fitting G3/8", Ø 22 mm
1822A	Button head fitting Ø22 mm 3/8"NPTF
18201	Button head fitting Ø22 mm 1/2"NPTF
ND6172	Button head fitting G1/8", Ø 16 mm
ND6172RO	Button Head Fitting G1/8", Ø16 mm Stainless Steel
A1184	Button head fitting short 1/8"NPTF Ø16mm
ND6160	Button head fitting G1/4", Ø 16 mm
ND6160ROSTFRI	Button head fitting G1/4", Ø 16 mm, stainless steel
ND6161	Button head fitting G3/8", Ø 16 mm
A1186	Button head fitting 1/4" NPTF Ø16mm
A1188	Button head fitting 3/8" NPTF Ø16mm
A1190	Button head fitting 1/2" NPTF Ø16mm
M101FZ	Button head fitting M10X1 Ø16
M101RO	Button head fitting M10X1 Ø16mm stainless steel
208	Button head fitting 15mm hexagon G1/8".
208ROSTFRI	Button head fitting 15mm hexagon G1/8"
211	Button head fitting 15mm hexagon G1/4"
211ROSTFRI	Button head fitting 15mm hexagon G1/4".



211



ND6160



A1186

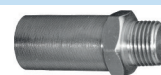


ND6151

Extension

Makes it possible to extend a lubricant fitting for ease of lubrication.

Part No	Thread
171	1/8" -1/8" (F)-(M) BSP



25 mm

Air treatment units

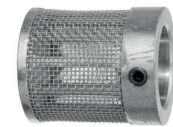
Part No	Model	Type	Connection
42103	FR-Unit with valve 1/4" (F) BSP	42009, 42107, 42110	1/4" (F) BSP
42105	FRL-Unit with valve 1/4" (F) BSP	42107, 42009, 42108, 42110	1/4" (F) BSP
2026154	Bracket for 42103 on 22750, 22760, 22850		



Inlet strainer

Filter for grease pumps 12750-52, 12755-57, 12560-62. The strainer is mounted directly on to the inlet to prevent any contamination of the grease.

Part No
1125372

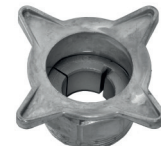


Bung adapters

With split collar. G2" (m) thread for drum or drum covers.

Part No	Pump	Pump tube
28590	12852	Ø 40 mm
28591	12750, 12751, 12752, 12755, 12756, 12757, 12650, 12651, 12652.	Ø 30 mm
28586	12540, 12541, 12542	Ø 26 mm

28586



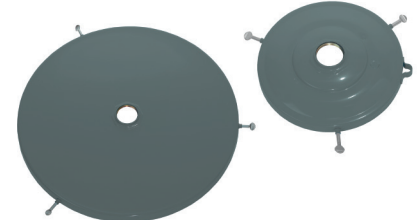
Drum covers

Made of sheet metal with G2" (f) thread for the pump bung adapter and three retaining screws.

Part No	For container	Dimension	Pump
18544	12,5-20 kg	275-305 mm	127-ser
18545	18-20 kg	290-327 mm	127-ser
18546	50 kg	345-380 mm	127-ser
18543	50 kg	360-405 mm	127-ser
18542	180 kg	560-605 mm	127-ser
18548	50 kg	360-405 mm	128-ser
18547	180 kg	560-605 mm	128-ser

18542

18544



Drum cover accessories

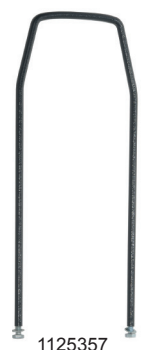
Part No	Model
1485016	Screw kit drum cover (3 pcs)
1125357	Carrying handle for drum cover 18544.
1385111	T-screw kit for plastic buckets (20 kgs).
18507	Grease gun holster for drum lids
18561	Holder for greasegun

1385111



18507

18561

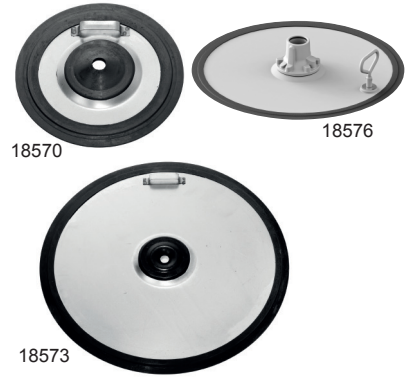


1125357

Followers plates

Eliminate cavitation and help pump priming. Rubber flange minimises waste by wiping the inner drum wall. Can be used with pump tube diameters 26-42 mm.

Part No	For container	Dimension	Pump
18569	12,5 kg	230-260 mm	127-ser
18570	18-20 kg	265-290 mm	127-ser
18575	25 kg	300-330 mm	127-ser
18571	50 kg	340-360 mm	127-ser
18572	50 kg	365-395 mm	127-ser
18573	180 kg	560-590 mm	127-ser
18576	50 kg	330-370 mm	128-ser
18577	50 kg	360-405 mm	128-ser
18578	180 kg	550-590 mm	128-ser



2 Oil equipment

Air operated oil pumps.....	26
Installation kits for 227 & 228-series pumps.....	27
Electric pumps for oil.....	29
Air operated diaphragm pump.....	30
Spring operated hose reels.....	31
Valves and meters.....	32
Distribution kits.....	33
Distribution kits for 1.000 l containers.....	34
Mobile oil distributors.....	35
Mobile oil dispensers.....	36
Portable oil dispensers, oil bar.....	38
Hand operated pumps.....	39
Drum taps, oil cans, measures etc.....	41
Installation accessories.....	42

Oil pump, pressure ratio 1:1

Transfer pump for connection to bulk tank or drum. The stub pump version can be wall or floor mounted. Double acting air operated pump for transferring oil and non-corrosive liquids. Includes a bung adapter G2" (m).

Technical data

Capacity	40 l/min free flow
Air connection	1/4" (F) BSP
Maximum air pressure	1 (10) MPa (bar)
Recommended air pressure	0,3 (3) - 0,5 (5) MPa (bar)
Outlet	3/4" (F) BSP

Part No	Inlet	Pump
22800	1" (F) BSP	Stub
22805	-	208 l Drum



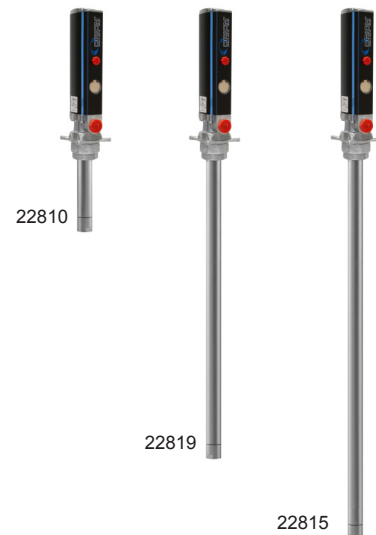
Oil pump, pressure ratio 3:1

Low pressure pump for smaller oil distribution system and lower viscosity oils. Suitable for connection to a bulk tank or drum. The stub pump version can be wall or floor mounted. Double acting air operated pump for oil and non-corrosive liquids. Includes a bung adapter G2" (m) and a PRV.

Technical data

Capacity	22 l/min free flow
Air connection	1/4" (F) BSP
Maximum air pressure	1 (10) MPa (bar)
Recommended air pressure	0,3 (3) - 0,5 (5) MPa (bar)
Outlet	3/4" (F) BSP

Part No	Inlet	Pump
22810	3/4" (F) BSP	Stub
22819	-	60 l Drum
22815	-	208 l Drum



Oil pump, pressure ratio 5:1

Medium pressure pump for larger oil distribution system and higher viscosity oils. Suitable for connection to a bulk tank or drum. The stub pump version can be wall or floor mounted. Double acting air operated pump for oil and non-corrosive liquids. Includes a bung adapter G2" (m) and a PRV.

Technical data

Capacity	38 l/min free flow
Air connection	1/4" (F) BSP
Maximum air pressure	1 (10) MPa (bar)
Recommended air pressure	0,3 (3) - 0,5 (5) MPa (bar)
Outlet	3/4" (F) BSP

Part No	Inlet	Pump
22850	1" (F) BSP	Stub
22852	-	208 l Drum



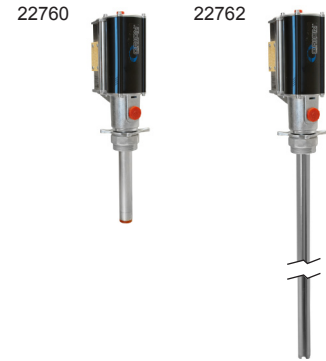
Oil pump, pressure ratio 15:1

High pressure oil pump for applications requiring higher pressure and lower flow rates. Suitable for connection to a bulk tank or drum. The stub pump version can be wall or floor mounted. Double acting air operated pump for oil and non-corrosive liquids. Includes a bung adapter G2" (m).

Technical data

Capacity	15 l/min free flow
Air connection	1/4" (F) BSP
Maximum air pressure	1 (10) MPa (bar)
Recommended air pressure	0,3 (3) - 0,5 (5) MPa (bar)
Outlet	3/4" (F) BSP

Part No	Inlet	Pump
22760	3/4" (F) BSP	Stub
22762	-	208 l Drum



Oil pump, heavy duty

High pressure oil pump for applications requiring higher pressure and higher flow rates. Suitable for connection to a bulk tank or drum. The pump can be wall or floor mounted. Double acting air operated pump for oil and non-corrosive liquids.

Technical data

Air connection	1/2" (F) BSP
Inlet	1 1/2" (F) BSP
Outlet	3/4" (F) BSP

Part No	Ratio	Capacity	Pump
22440	3:1	120 l/min free flow	Stub
22441	6:1	100 l/min free flow	Stub
22443	10:1	68 l/min free flow	Stub
22442	10:1	68 l/min free flow	208 l Drum
22450	6:1	100 l/min free flow	Stub
22451	12:1	65 l/min free flow	Stub



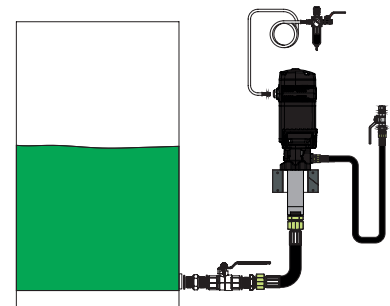
Installation kit for heavy duty oil pumps

Components for a remote wall mounted air operated oil pump with a suction hose connected to the bottom tank outlet. **Note! Pump not included.**

Information

Air line hose (48017) 1/2" L= 2 m
 Outlet hose (28079) 3/4" L= 1,5 m
 Suction hose (28090) 2" L= 0,7 m

Part No	Model
99620	Installation kit for a remote floor mounted air operated industrial pump. With a suction hose connected to a tank



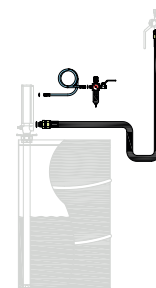
Drum mounted pump installation kit

Components for a drum mounted air operated pump (208 l drum or tank). **Note! Pump not included.**

Information

Air line hose L = 1,5 m x 8 mm
 Fluid line hose L = 1,5 m

Part No	Model
99625	Installation kit for air operated drum pump
99725	Installation kit for air operated drum pump (excl. FRL)



Wall mounted pump installation kit, drum

Components for an air operated pump, for 208 l drums and 1.000 l IBC containers. **Note!**

Pump not included, ordered separately.

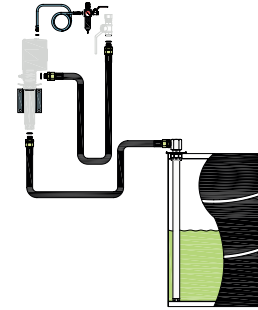
Information

Air line hose L= 1,5 m

Outlet hose L= 1,5 m

Suction hose L= 2 m and suction tube L= 1 m

Part No	Model
99626	Installation kit for a remote wall mounted air operated pump. For drum or IBC
99726	Installation kit for a remote wall mounted air operated pump. For drum or IBC (excl. FRL)



Wall mounted pump installation kit, tank

Components for a remote wall mounted air operated oil pump with a suction hose connected to the bottom tank outlet. **Note! Pump not included.**

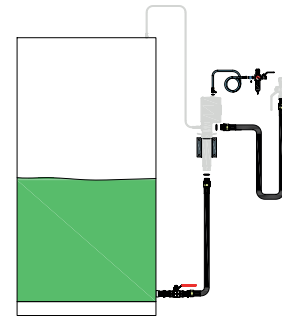
Information

Air line hose (48101) 8 mm L= 1,5 m

Oil line hose (28079) 3/4" L= 1,5 m

Oil suction hose (28078) 1 m hose

Part No	Model
99627	Installation kit for a remote wall mounted air operated pump with a suction hose connected to a tank
99727	Installation kit for a remote wall mounted air operated pump with a suction hose connected to a tank (excl. FRL)



Floor mounted pump installation kit, tank

Components for a remote floor mounted air operated oil pump with a suction hose connected to the bottom tank outlet. **Note! Pump not included.**

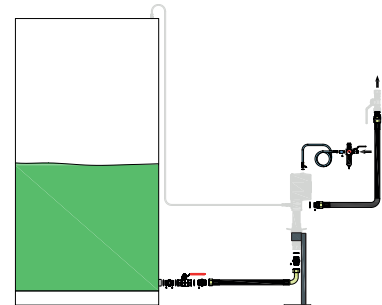
Information

Air line hose (48101) 8 mm L= 1,5 m

Outlet hose (28079) 3/4" L= 1,5 m

Suction hose (28080) 1 m hose

Part No	Model
99628	Installation kit for a remote floor mounted air operated pump with a suction hose connected to a tank



Wall mounted pump installation kit, top connected tank

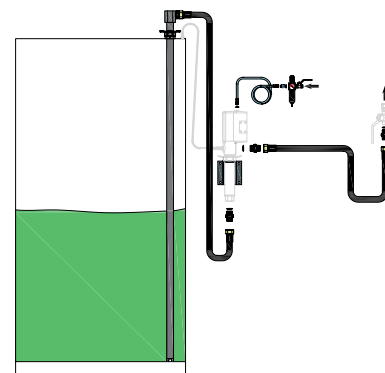
Components for a remote wall mounted air operated oil pump with a tank suction attachment. Maximum tank height 1.7 m.

Information

Air line hose (48001) 1/4" L= 1,5 m

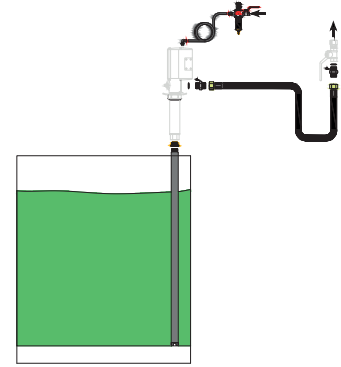
Outlet hose (28079) 3/4" L= 1,5 m

Part No	Model
99629	Installation kit for a remote wall mounted air operated pump with a suction pipe from top of the tank
99729	Installation kit for a remote wall mounted air operated pump with a suction pipe from top of the tank (excl FRL)
99624	Installation kit for a remote wall mounted air operated pump, connected to tank max 3 m high
99724	Installation kit for a remote wall mounted air operated pump, connected to tank max 3 m high (excl FRL)



Top mounted installation kit, telescopic riser tube

Part No	Model
99622	Installation kit for a topmounted air operated pump with a suction pipe from top of the tank, 0,6-1,0 m height
99623	Installation kit for a topmounted air operated pump with a suction pipe from top of the tank, 1,0-2,0 m height
99648	Installation kit for a topmounted air operated pump with a suction pipe from top of the tank, 0,6-1,0 m height
99649	Installation kit for a topmounted air operated pump with a suction pipe from top of the tank, 1,0-2,0 m height



Air treatment units

Part No	Model	Type	Connection
42103	FR-Unit with valve 1/4" (F) BSP	42009, 42107, 42110	1/4" (F) BSP
2026154	Bracket for 42103 on 22750, 22760, 22850		

2026154



42103



Electric pumps for oil

Electric gear pump, with built in by-pass and pressure switch for controlled oil dispensing. The pressure switch switches the pump on/off automatically when the oil valve is open/closed. Opening pressure 6 bar. (only 52510, 52515 and 52520). Inlet: G3/4" (f) Outlet: G1" (f). Voltage: 230 V, 50 Hz. (52525, 52527: G1" In-Out)

Technical data

Outlet 1" (F) BSP
Voltage 230 V AC

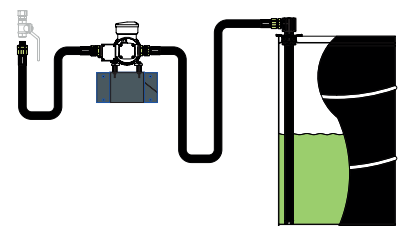
Part No	Capacity	Inlet	Maximum pressure
52510	9,5 l/min free flow	3/4" (F) BSP	2 (20) MPa (bar)
52515	13 l/min free flow	3/4" (F) BSP	2,5 (25) MPa (bar)
52520	9,5 l/min free flow	3/4" (F) BSP	4 (40) MPa (bar)
52525	50 l/min free flow	1" (F) BSP	0,8 (8) MPa (bar)
52527	70 l/min free flow	1" (F) BSP	0,8 (8) MPa (bar)



Installation kit for electric pump for oil

Components for an electric oil pump, for 208 l drums and 1.000 l IBC containers. **Note!** Pump not included, ordered separately.

Part No	Model
99656	Installation components for wall-mounted electric pump for drum or IBC with 1,08 m suction tube
99659	Installation components for wall-mounted electric pump for tank with 1,7 m suction tube



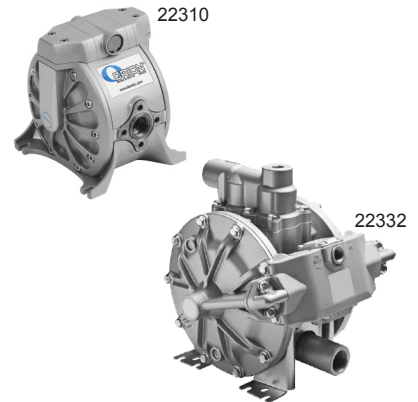
Diaphragm pump 1:1

Transfer pump for connection to bulk tank or drum. Air operated double diaphragm for transferring various fluids.

Technical data

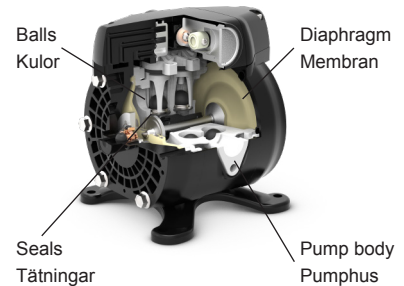
Ratio	1:1
Air connection	3/8" (F) BSP
Maximum air pressure	0,8 (8) MPa (bar)

Part No	Capacity	Outlet
22210	50 l/min free flow	1/2" (F) BSP
22310	100 l/min free flow	1" (F) BSP
22332	200 l/min free flow	1" (F) BSP



Material description diaphragm pumps (wetted parts)

Part No	Seals	Material pump body	Material diaphragm	Material balls
22210	NBR / Buna-N	Aluminium	TPE / Hytel®	POM / Acetal
22310	NBR / Buna-N	Aluminium	TPE / Hytel®	POM / Acetal
22332	NBR / Buna-N	Aluminium	TPE / Hytel®	POM / Acetal



Magnetic feet with rubber cover

Part No	Model
98876	Magnetic oil resistant feet, rubber covered.



Installation kit for diaphragm pump

Components for an air operated pump, for 208 l drums and 1.000 l IBC containers. **Note! Pump not included, ordered separately.**

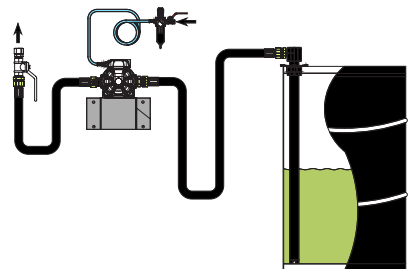
Information

Air line hose L= 1,5 m

Outlet hose L= 1,5 m

Suction hose L= 2 m and suction tube L= 1 m

Part No	Model
99666	Installation kit for wall mounted air operated diaphragm pump 1/2" for drum
99766	Installation kit for wall mounted air operated diaphragm pump 1/2" for drums (excl. FRL)
99667	Installation kit for wall mounted air operated diaphragm pump 1" for drum
99767	Installation kit for wall mounted air operated diaphragm pump 1" for drum (excl. FRL)



Installation kit for floor mounted diaphragm pump

Components for an air operated diaphragm pump for high flowrates. **Note! Pump not included, ordered separately.**

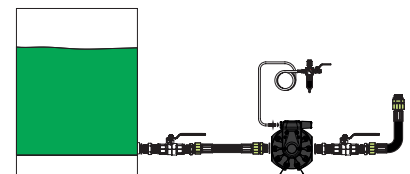
Information

Air line hose (48106) 12 mm L= 3 m

Oil line hose (28090) 2" L= 0,7 m

Suction hose (28090) 2" L= 0,7 m

Part No	Model
99670	Installation kit for floor mounted air operated diaphragm pump 1 1/2" with a suction hose connected to a tank
99770	Installation kit for floor mounted air operated diaphragm pump 1 1/2" with a suction hose connected to a tank (excl. FRL)



Series ORM

Robust open hose reel made of lacquered steel sheet with oil -resistant reinforced hose. Can be equipped with pivotable bracket, article no 28913. For mounting in any position on wall or ceiling. Recommended mounting height, at least 2.5m above floor. For more information, see Chapter 8 hose reels.

Part No	Media	Dimension	Maximum working pressure	Hose length
25135	Oil/Air	12,5 (1/2") mm (inch)	7,5 (75) MPa (bar)	15 m



Series ORS

Open hose reel with low weight made of aluminum with oil -resistant reinforced hose. Can be equipped with pivotable bracket, article no 28913. For mounting in any position on wall or ceiling. Recommended mounting height, at least 2.5m above floor. For more information, see Chapter 8 hose reels.

Part No	Media	Dimension	Maximum working pressure	Hose length
25232	Oil/Air	12,5 (1/2") mm (inch)	10 (100) MPa (bar)	10 m
25235	Oil/Air	12,5 (1/2") mm (inch)	10 (100) MPa (bar)	15 m



Series ORL

Robust open hose reel made of lacquered steel sheet with oil -resistant reinforced hose. Can be equipped with pivotable bracket, article no 28913. For mounting in any position on wall or ceiling. Recommended mounting height, at least 2.5m above floor. For more information, see Chapter 8 hose reels.

Part No	Media	Dimension	Maximum working pressure	Hose length
25436	Oil/Air/Diesel	12,5 (1/2") mm (inch)	7,5 (75) MPa (bar)	20 m
25455	Oil/Air/Diesel	19 (3/4") mm (inch)	7,5 (75) MPa (bar)	15 m



Series ORB

Extra robust open hose reel made of lacquered steel sheet with oil -resistant reinforced hose. For mounting in any position on wall, floor or ceiling. Recommended mounting height, at least 2.5m above floor. For more information, see Chapter 8 hose reels.

Part No	Media	Dimension	Maximum working pressure	Hose length
25638	Oil/Air	12,5 (1/2") mm (inch)	7,5 (75) MPa (bar)	30 m
25656	Oil/Air	19 (3/4") mm (inch)	7,5 (75) MPa (bar)	20 m
25657	Oil/Air/Diesel	19 (3/4") mm (inch)	7,5 (75) MPa (bar)	25 m
25665	Oil/Air/Diesel	25 (1") mm (inch)	7,5 (75) MPa (bar)	15 m



Series CRO

Cased hose reel made of aluminum with oil -resistant reinforced hose. Can be equipped with pivotable bracket, article no 28913. For mounting in any position on wall or ceiling. Recommended mounting height at least 2.5m above floor. For more information, see Chapter 8 hose reels.

Part No	Media	Dimension	Maximum working pressure	Hose length
26232	Oil/Air	12,5 (1/2") mm (inch)	10 (100) MPa (bar)	10 m
26235	Oil/Air	12,5 (1/2") mm (inch)	10 (100) MPa (bar)	15 m



Series CRK

Cased hose reel made of lacquered steel sheet with oil -resistant reinforced hose. Can be equipped with pivotable bracket, article no 28913. For mounting in any position on wall or ceiling. Recommended mounting height at least 2.5m above floor. For more information, see Chapter 8 hose reels.

Part No	Media	Dimension	Maximum working pressure	Hose length
26432	Oil/Air	12,5 (1/2") mm (inch)	9,0 (90) MPa (bar)	10 m
26435	Oil/Air	12,5 (1/2") mm (inch)	9,0 (90) MPa (bar)	15 m



Meters, mechanical or digital

Technical data

Connection 1/2" (F) BSP

Part No	Model	Capacity	Maximum working pressure
24792	Mechanical hose end meter with outlet hose and automatic non-drip 1/2" (F) BSP	2 - 20 l/min free flow	10 (100) MPa (bar)
20371	Digital hose end meter with 90° hose, automatic non-drip 1/2" (F) BSP Oil/Glycol	1 - 30 l/min free flow	10,0 (100) MPa (bar)



Pre-set meters, mechanical or digital

Technical data

Connection 1/2" (F) BSP

Part No	Model	Capacity	Maximum working pressure
24797	Mechanical pre-set hose end meter with rigid outlet tube 1/2" (F) BSP	2 - 30 l/min free flow	10 (100) MPa (bar)
20422	Digital hand meter pre-set with malleable hose, manual non-drip 1/2" (F) BSP Oil/Glycol	0,8-30 l/min free flow	10,0 (100) MPa (bar)



Oil control valves, aluminium

Control valves made of aluminium with large flow capacity. Ball bearing swivel and built in strainer.

Technical data

Capacity 40 l/min free flow
 Maximum working pressure 10 (100) MPa (bar)
 Connection 1/2" (F) BSP

Part No	Model
20305	Oil control valve without outlet tube 1/2" (F) BSP
20357	Oil control valve, 60° pipe, manual non-drip nozzle 1/2" (F) BSP
20377	Oil control valve 90° hose manual non-drip 1/2" (F) BSP
20376	Oil control valve 90° hose automatic non-drip 1/2" (F) BSP
20396	Oil control valve 135° hose automatic non-drip 1/2" (F) BSP
20316	Oil control valve, straight hose, automatic non-drip nozzle 1/2" (F) BSP



High volume hose end meter

High volume oil control valve for high flow of lubricants. Two-valve operation. Lockable trigger. Ball bearing swivel. Rigid outlet with semiautomatic non-drip nozzle.

Part No	Capacity	Maximum working pressure	Connection
24756	70 l/min free flow	10 (100) MPa (bar)	3/4" (F) BSP
24757	70 l/min free flow	10 (100) MPa (bar)	3/4" (F) BSP
24567	70 l/min free flow	10 (100) MPa (bar)	3/4" (F) BSP
24568	70 l/min free flow	10 (100) MPa (bar)	3/4" (F) BSP



Drip holsters

To protect hose end meters and control valves when not in use and to collect any drips.

Part No	Model
29090	Drip holster. Standard
29086	Drip holster with separate drip container.



29090



29086

Distribution kit for drum with wall mounted pump

Consisting of pump 22810, hose reel 26432, hose end meter 20371 and fittings.

Part No	Hose length
28330	2 m
28331	4 m
28332	6 m



Distribution kit for drum with drum pump

Consisting of pump 22815, hose reel 26432, hose end meter 20371 and fittings.

Part No	Hose length
28335	2 m
28336	4 m
28337	6 m



Distribution kit

Air operated oil pump mounted on a bracket on the side on the container. The pump outlet is fitted with a shut off valve with hooked outlet nozzle (1,5m) for dispensing directly into measures or containers. **Note! Delivered without the container.**

Part No	Model
28352	Distribution kit IBC 1:1 pump 22800 with hose
28353	Distribution kit IBC diaphragm pump 22210
92126	Bracket for pump
9320120	Suction hose 3/4" to IBC container. Length 700 mm.



Distribution kit with hose end meter

Air operated oil pump mounted on a bracket on the side on the container. The pump outlet is fitted with a 3 metre 1/2" distribution hose and digital hose end meter 20371.

Part No	Model
28354	Distribution kit IBC 3:1 pump 22810 and meter
28355	Distribution kit IBC diaphragm pump 22210 and meter
92126	Bracket for pump



Distribution kit with hose reel and hose end meter

Air operated oil pump mounted on a bracket on top of the container. Supplied with a 10 metre 1/2" hose reel 25132 and digital hose end meter 20371.

Part No	Model
28356	Distribution kit IBC 3:1 pump 22810 with hose reel and meter
92128	Bracket for a hose reel and pump



Distribution kit with side mounted hose reel and hose end meter

Air operated oil pump mounted on a bracket on the side of the container. Supplied with a 10 metre 1/2" hose reel 25232 and digital hose end meter 20371.

Part No	Model
28357	Distribution kit IBC side mounting,
2086100	Bracket for pump and hose reel, for IBC



Deluxe mobile oil dispensers for 20 and 60 l drums

Consisting of a pump, fitted to the lid of a protective container, distribution hose and oil control valve. The container is mounted on a trolley fitted with two large rubber wheels and two swivel castors.

Part No	For container	Dimension	Pump	Hose length
26016	60 l	650 x 510 x 1280 mm	22805	3 m
25016	20 l	400 x 400 x 800 mm	22800	2 m



Mobile oil dispensers for 60 l drums

Consisting of an oil pump 22819, 3 metre 1/2" distribution hose with hose end meter and drum trolley.

Part No	Dimension	Trolley	Meter
22152	450 x 620 x 1200 mm	28528	20371
22153	500 x 450 x 1250 mm	28526	20371



Mobile oil dispensers for 208 l drums

Consisting of an oil pump 22805, 3 metre 1/2" distribution hose with hose end meter and drum trolley.

22154



Part No	Trolley	Meter
22154	28645	20371
22155	28667	20371

12 / 230V oil dispenser for 208 l drum

Ideal solution when compressed air is not available. Self priming gear type pump, sintered precision gears and cast iron body with integrated adjustable by-pass valve in the pump body. Includes: oil pump, suction hose, 3m hose, digital meter.

Part No	Capacity	Motor	Voltage	Trolley
22170	9 l/min free flow	600 W	230 V AC	28645
52413	4 l/min free flow	200 W	12 V DC	-



Mobile oil dispensers for 208 l drums with hose reel

Consisting of an oil pump 22815, 10 metre 1/2" hose reel 26432 with hose end meter and drum trolley.

22158



Part No	Dimension	Trolley	Meter
22158	800 x 620 x 1200 mm	28645	20371

Mobile oil dispenser

Air operated oil dispenser, comprising of a steel container with G2" (f) pump mounting thread, fitted with a compressed air connection and pressure gauge, Ø 30 mm filler hole, sight gauge and two Ø 100 mm wheels. Pre-load the container with compressed air 0,3-0,7 MPa (3-7 bar), and the dispenser can be used without permanent connection to air pressure. Max. admissible tank capacity is 3/4 of total capacity. Complete with 1,2 m hose and oil control valve 20316 or digital meter 20371.

21076



Part No	Model	Dimension
21076	Air operated oil dispenser 24L with oil valve.	350 x 380 x 780 mm
21077	Air operated oil dispenser 24L with meter	350 x 380 x 780 mm

Mobile oil dispenser

Mobile steel container with G2" (f) pump mounting thread, Ø 30 mm filler hole, sight gauge and two Ø 100 mm (4") wheels. Complete with hand operated oil pump, 1,2 m hose and with an outlet tube.

Part No	Capacity	Dimension	Volume
21067	0,1 l/stroke	350 x 380 x 780 mm	24 l



Mobile oil dispensers for 20 and 60 l drums

Trolley with chain for holding 60 l drums with two Ø 155 mm wheels. Pump delivered with 1,5 m outlet hose and hooked outlet nozzle.

Part No	Capacity	Dimension	Pump	Trolley
21656	0,25 l/stroke	450 x 230 x 1200 mm	21650	28528
21507	0,1 l/stroke	450 x 230 x 1200 mm	21506	28528

21656



21507



Mobile oil dispenser for 60 l drums with heavy duty trolley

Trolley with tubular drum support and a clamp screw for fixing the drum, two Ø 75 mm swivel castors and two Ø 200 mm wheels. Pump delivered with 1,5 m outlet hose (28569), shut-off valve and hooked outlet nozzle.

Part No	Capacity	Dimension	Pump	Trolley
21658	0,25 l/stroke	500 x 450 x 1060 mm	21650	28526



Mobile oil dispenser for 208 l drums

Consists of a hand operated oil pump, 1/2" oil hose (1,5m) with 135° angled spout, valve and drum trolley.

Part No	Dimension	Pump	Trolley
21504	450 x 620 x 1200 mm	21503	28645



Oil dispenser for 208 l drums

Consisting of an oil pump 22815, 3 metre 1/2" distribution hose with hose end meter 20371.

Part No
28340



Portable oil dispensers

Portable oil pump fitted to a 16 l container with carrying handle. Supplied with a 1,5 m hose and angled outlet tube.

Part No	Capacity	Dimension	Weight (Gross)
21574	0,04 l/stroke	400 x 150 x 630 mm	4,24 kg
21578	0,1 l/stroke	400 x 150 x 900 mm	5,6 kg
21670	0,25 l/stroke	400 x 150 x 900 mm	6,2 kg
21066	0,1 l/stroke	380 x 170 x 700 mm	9,25 kg
21065	0,13 l/stroke	490 x 240 x 730 mm	6,5 kg



21574



21578



21670



21066



21065

Oil bar

Oil dispensing bar for 1 to 4 products. Delivered with 1 valve 24509 for 1 product. Can be fitted with up to 4 valves for 4 different products.

Part No	Model	Dimension	Connection
24135	Oil dispensing bar for 1 to 4 products	460 x 300 x 580 mm	1/2" (M) BSP
24509	Oil bar valve kit		1/2" (M) BSP
54509	Oil bar valve, stainless steel		1/2" (M) BSP

24135



Rotary pump for oil

Rotary pump made of cast iron with Ø 26 mm outlet pipe and G2" (m) bung adapter.

Part No	Capacity	Riser tube length	Pump tube	Weight (Gross)
21205	0,25 l/revolution	900 mm	ø 32 mm	8 kg



Rotary pump for oil, water based fluids and other chemicals

For water based fluids and other chemicals. Made of PVC with Ø 27 mm outlet pipe and G2" (m) bung adapter.

Part No	Capacity	Riser tube length	Pump tube	Weight (Gross)
21200	0,3 l/revolution	280-1030 mm	ø 44 mm	1,95 kg



Drum pump

For transfer of oil and non corrosive fluids from 60 l and 208 l drums. Made of aluminium and steel with nitrile seals, rigid outlet pipe, bung adaptor and telescopic suction tube. Capacity 0,45 l/ stroke approx. 16 l/min.

Part No	Capacity	Riser tube length	Pump tube	Weight (Gross)
21012	0,45 l/stroke	470-885 mm	ø 28/35 mm	2,13 kg
21013	0,45 l/stroke	470-885 mm	ø 28/35 mm	2,4 kg



Drum pump

Medium pressure lever pump for high viscosity lubricants. For transfer of oil and non corrosive fluids from 20 l and 208 l drums. Made of steel with nitrile seal and rubber hose (1,5 m) with angled spout and valve. Suction tube diameter Ø 36 mm.

Part No	Model	Capacity	For container	Pump
21500	Hand oil pump 20 L with outlet hose 0,1 l/ stroke	0,1 l/stroke	20 l	21499
21506	Hand oil pump 60L drum with outlet hose	0,1 l/stroke	60 l	21505
21503	Hand oil pump 208 l with outlet hose 0,1 l/ stroke	0,1 l/stroke	208 l	21501
24599	Outlet hose, 1,5M with 135° angled spout and valve			



Medium pressure pump, without accessories

Hand pump for highly viscous oils or grease. For transferring oil and non-corrosive liquids. Made of steel with nitrile rubber gaskets. The pump can easily be adjusted between two modes for use with oil or grease. **Note! If the pump is used in "oil" mode to pump grease damage can occur to the pump mechanism.**

21499



Part No	Model
21499	Hand Pump for oil / grease 20 L / 20 kg
21505	Hand Pump for oil / grease 60 L / 50 kg drum
21501	Handdriven pump for oil/grease 208l / 185kg drum

Hand operated pumps

Pump with a telescopic (500-900 mm) suction tube. The lever can be mounted in different positions to change the stroke length and output. Delivered with a bung adapter G2" (m). Capacity 0,15 to 0,25 l/stroke.

21652



Part No	Model
21650	Hand pump oil 60-205L drum
21652	Hand pump 60-205L drum with outlet hose (1,5M)
24599	Outlet hose, 1,5M with 135° angled spout and valve

Drum pumps

Wide range of hand-operated piston pumps in several models in different materials for the highest compatibility with different types of liquids. Delivered with telescopic suction tube, G2" and G1 1/2" bung adapter.

Part No	Capacity	Colour
21210	0,3 - 0,45 l/stroke	Black/blue
21211	0,3-0,45 l/stroke	Black/green
21130	0,5 l/stroke	Black/white
21022	0,3 l/stroke	Black/blue



21210



21130



21022

Drum adapters and accessories

Part No	Model
2310033	Adapter Mauser (m) - Trisure (f)
2310039	Lid for IBC 160x7mm, 56x4 Trisure (f)
2310045	Bung adaptor DIN61-3/4"(f)
28235	Adapter G2" (f) -Trisure Ø 56 mm, pitch approx. 4 mm (m)
28236	Adapter G2" (f) -Multi adapter with locking screw Ø55-65 mm(f)
28234	Adapter G2" (f) -Midland
28238	Adapter G2" (f) - Mauser Ø 70 mm, pitch approx. 6 mm (m)
28239	Adapter G2" (f) - Berg Ø 53 mm, pitch approx. 3,5 mm (f)
2310035	Adapter G2" (f) - DIN 70 (f) pitch approx. 6 mm
2310034	Adapter G2" (f) - DIN 61 (f) pitch approx. 5 mm (IBC)
2310037	Adapter G3/4" (f) - Trisure Ø 56 mm, pitch 4 mm (m)
2310038	Adapter G3/4" (f) - DIN 70 (f) pitch approx. 6 mm
28339	Adapter DIN 61 suits the most IBC containers - Hose tail 25 mm (1")
2310044	Adapter G2" (f) - DIN 63 (f)
2310043	Lid for IBC Ø160mm G2"(f)



Hand operated pumps

Part No	Riser tube length	Material
21027	1000 mm	Nylon 6
21047	500 mm	Nylon 6
21028	1000 mm	Polypropylene
21048	500 mm	Polypropylene



Manual syphon pumps

Part No	Capacity	For container	Riser tube length
21230	~6,5 l/min free flow	25 l	390 mm
21232	~18,5 l/min free flow	208 l	850 mm



Suction pumps

For filling and emptying of small containers, gear boxes etc.

Part No	Volume
21040	500 cm ³
21044	800 cm ³



Drum taps

Part No	Thread	Material
24506	2" (M) BSP	Aluminium



Plastic measures

Measuring jugs with handle, made of polyethylene, resistant to oil, gasoline and chemicals.

Part No	Volume
21625	1,0 l
21626	2,0 l
21657	3,0 l
21627	5,0 l



Anti-splash funnel

Part No	Dimension
21632	Ø 190 mm
21605	Ø 230 mm

21632 / 21605

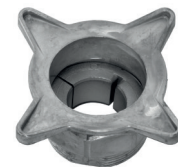


Bung adapters

With split collar. G2" (m) thread for drum or drum covers.

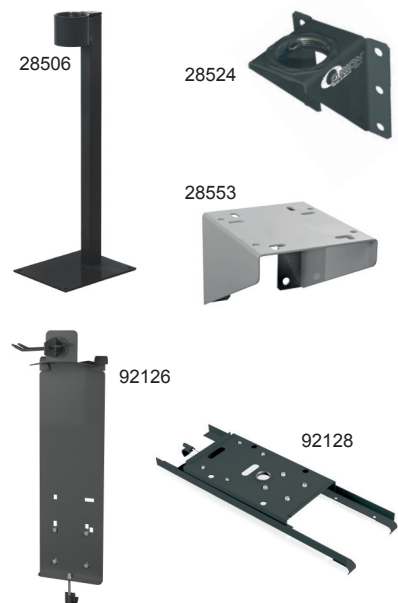
Part No	Pump	Pump tube
28585	22710, 22715, 22760, 22762	Ø 32 mm
28594	22810, 22815, 22819	Ø 34 mm
28587		Ø 35 mm
28595	22700, 22705, 22720, 22725, 22750, 22752, 22772	Ø 50 mm
28592	22800, 22802, 22805, 22820, 22825, 22850, 22852	Ø 52 mm
2125753	22770, 22775	Ø 54 mm

28585



Pump brackets

Part No	Model
28524	Wall bracket pump mounting thread G2" (f).
28506	Floor bracket pump mounting thread G2" (f).
28670	Wall bracket for 4,5" and 6" heavy duty pumps
28671	Floor bracket for 4,5" and 6" Heavy duty pumps
28553	Wall bracket for diaphragm pump 1/2"
28552	Wall bracket for 1" diaphragm pump.
92126	Bracket for pump
92128	Bracket for a hose reel and pump



Pressure relief valve

For protection of equipment against system pressure increase due to thermal expansion. (1 °C increase in temperature can cause 1,0 MPa, 10 bar increase in system pressure). Our 3:1 and 5:1 oil pumps are fitted with a pressure relief valve as standard.

Part No
28623
28625

28623



Distribution hoses for oil

Nitrile rubber hoses, 1/2" i.d. steel braided, PN 13,8 MPa (138 bar), swaged couplings G1/2" swivelling nuts, incl. two connection adapters, G1/2" (m) - G3/4" (m).

Part No	Thread	Length
28009	1/2" 3/4" (F)-(M) BSP	2 m
28010	1/2" 3/4" (F)-(M) BSP	3 m
28011	1/2" 3/4" (F)-(M) BSP	4 m
28012	1/2" 3/4" (F)-(M) BSP	5 m
28013	1/2" 3/4" (F)-(M) BSP	6 m
28015	1/2" 3/4" (F)-(M) BSP	8 m



Connection oil hoses

Connection hose, steel braided, swaged couplings with swivelling nuts and adapter.

Part No	Dimension	Thread	Length
28078	25 (1") mm (inch)	1" (F)-(M) BSP	1,0 m
28080	25 (1") mm (inch)	1" 90° (F)-(M) BSP	1,0 m
28079	19 (3/4") mm (inch)	3/4" 1" (F)-(M) BSP	1,5 m
28272	19 (3/4") mm (inch)	3/4" 90° (F)-(M) BSP	2,5 m
28090	50 (2") mm (inch)	2" (F)-(F) BSP	0,7 m

28078



28080



28079



28090



Drum suction attachments

Riser tube with foot valve and G2" bung adapter, hose 3/4" i.d., with swaged couplings G3/4" swivelling nut incl. adapters, G3/4" (m). Suction tube diameter for 28310 and 28311 Ø 42 mm.

Part No	Dimension	Hose length	Riser tube length
28310	19 (3/4") mm (inch)	2 m	1,08 m
28311	19 (3/4") mm (inch)	2 m	1,7 m



Telescopic suction tube

Technical data

Material Steel
Connection 3/4" (M) BSP

Part No	Length
28420	600-1085 mm
28421	1062-2012 mm

28420



28421



Oil strainers

For mounting in pipe lines to prevent meters being damaged due to contamination. Washable cartridge of stainless steel. Max 5 MPa (50 bar).



28022 / 28059

Part No	Thread	Material	Filtration
28022	1/2" (F) BSP	Stainless steel	400 µm
28059	3/4" (F) BSP	Stainless steel	400 µm

Level gauge

Level gauge with a litre scale for exact measurement of all types of fluids in drums. The gauge fits in the 3/4" hole of the drum. Easy to install.



Part No
29120

3 Waste oil

Air operated suction & waste oil pumps	46
Accessories	47
Pit waste oil equipment.....	48
Equipment for pits.....	48
Mobile waste oil units	48
Waste oil equipment	50
Suction units and drain pans	51
Vacuum pump.....	52

Suction & waste oil pumps 1:1 & 5:1

Double acting, air operated oil pumps for non-corrosive liquids, waste oil etc. For wall or floor installation. The pumps are designed to create maximum vacuum and will not rush when there is no liquid in the suction side. Recommended when you can't control the pumping process or when using suction probes. In other cases use the standard oil pumps (Refer to the oil section). Bung adapter G2" (m) included (part no 28595).

Technical data

Air connection	1/4" (F) BSP
Maximum air pressure	1,0 (10) MPa (bar)
Inlet	1" (F) BSP
Outlet	3/4" (F) BSP

Part No	Ratio	Capacity
22802	1:1	18 l/min free flow
22875	5:1	38 l/min free flow

22802



22875



Wall mounted pump installation kit

Components for a wall mounted air operated oil pump, non return valve (28295) included. NOTE! Pump not included. Select a pump 22800, 22802 or 22575.

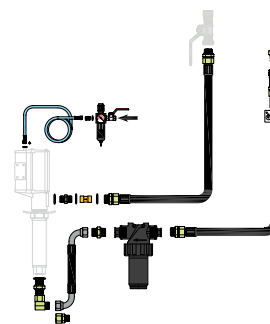
Information

Air line hose 1/4" L= 1,5 m

Outlet hose 3/4" L= 1,5 m

Suction hose 1" L= 2 m

Part No	Model
99631	Installation kit waste oil for wall mounted air operated pump
99731	Installation kit waste oil for wall mounted air operated pump and strainer 29300 (excl FRL)



Floor mounted pump installation kit

Components for a floor mounted air operated oil pump, non return valve (28295) included. NOTE! Pump not included. Select a pump 22800, 22802 or 22575.

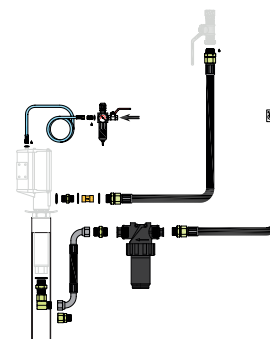
Information

Air line hose 1/4" L= 1,5 m

Outlet hose 3/4" L= 1,5 m

Suction hose 1" L= 2 m

Part No	Model
99632	Installation kit waste oil for floor mounted air operated pump and strainer 29300
99732	Installation kit waste oil for floor mounted air operated pump and strainer 29300 (excl FRL)



Air operated diaphragm pump 1:1

Transfer pump for connection to bulk tank or drum. Air operated double diaphragm for transferring various fluids.

Technical data

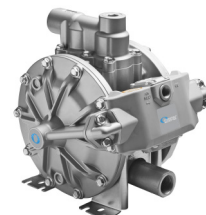
Air connection	3/8" (F) BSP
Maximum air pressure	0,8 (8) MPa (bar)

Part No	Capacity	Outlet
22320	100 l/min free flow	1" (F) BSP
22332	200 l/min free flow	1" (F) BSP

22320



22332



Wall mounted diaphragm pump installation kit

Components for a wall mounted air operated diaphragm pump, non return valve (28295) and strainer included. NOTE! Pump not included.

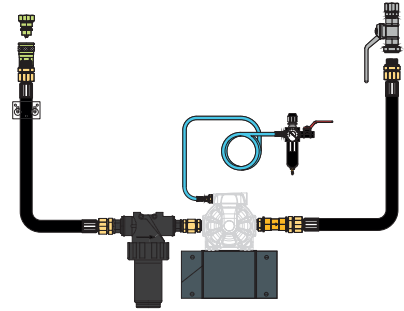
Information

Air line hose 1/4" L= 1,5 m

Outlet hose 3/4" L= 1,5 m

Suction hose 1" L= 2 m

Part No	Model
99662	Installation kit waste oil wall mounted air operated diaphragm pump 1" and strainer
99762	Installation kit waste oil wall mounted air operated diaphragm pump 1" and strainer (excl FRL unit)



Suction strainer for waste oil

The polypropylene strainer housing is resistant to most fluids used in a modern car workshop and equipped with a 32 mesh stainless steel filter cartridge. (Equivalent to ~0.6 mm perforations). The filtration is sufficient to prevent harmful particles from entering the pump and the washable strainer should be cleaned regularly to remove any contamination. The two 1/4 BSP (f) threads on the top of the strainer can be used to attach vacuum gauges. The strainer is delivered without a hole down to the strainer chamber. When attaching a vacuum gauge a Ø 3 mm hole must be drilled in the bottom of the 1/4 BSP port. Attaching two vacuum gauges will indicate the pressure drop over the cartridge.

Technical data

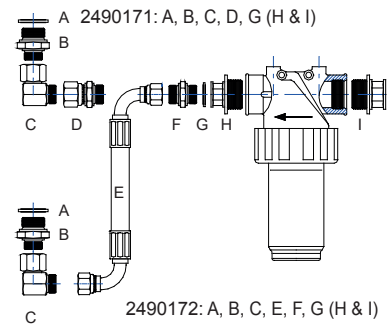
Thread	1 1/4" (F) BSP
Maximum working pressure	2,0 (20) MPa (bar)
Maximum temperature	80 °C
Vacuum level	100 %
Filtration	500 µm
Packaging LxWxH	0,28 x 0,15 x 0,18 m
Weight (Gross)	0,85 kg

Part No	Model
29300	Suction Strainer for waste oil.
2326013	Vacuum Gauge.
1988211	Lock nut for gauge.
2390169	Filter for 29300 32Mesh
2390178	O-Ring 75,2X5,33 for 29300
2490171	Installation kit for waste oil filter (29300)
2490172	Installation kit for waste oil filter (29300) is installed remote from the pump, hose is incl. in the kit

29300 G1" inv.



2326013



Valve 4-way

It simplifies plumbing, and allows the use of one pump to pull and push waste fluids on / off their storage tank with the swing of a handle.

Technical data

Maximum pressure	1,5 (15) MPa (bar)
Seals	FKM / Viton®
Material	Aluminium
Connection	1" (F) BSP

Part No
28329



Waste oil arm with 5:1 pump

An effective and spill free solution where the pump, filter and bowl travels on a suspended rail in the pit and is folded away when not in use. Pneumatic adjustment of the bowl and pump for emptying the waste oil. Bowl dimension 770 x 375 mm (approx. 45 l). Connected with quick couplers.

Part No	Model
39710	Waste oil collection bowl with 5:1 pump for rail system
2395069	Quick connector kit, for waste oil and air. Designed to be fitted to 39710 and 39711
2395080	Pit rail kit with rail (4 metres) and wall brackets for 39710 and 39711.
39711	Waste antifreeze collection bowl (painted green) on rail with 5:1 pump
2395140	Quick coupler kit for 39711
99390	Bracket kit prefab pits



39711

39710



Waste oil unit for pit use

With adjustable wheels for mounting on pit rails. The unit can be emptied by a pump system, 29068 must be fitted with a quick coupling set (29108) for easy connection of the discharge hose.

Part No	Model	Dimension	Volume	Weight (Gross)
39068	Waste oil unit for pit. Volume 90 litre	1030-1450 x 810 x 460 mm	~90 l	38,33 kg
29108	Quick coupling kit. Used when waste oil unit (39075 or 39068) emptied using discharge pump			

39068



100 l Capacity waste oil container with a unique bowl design

The container is fitted with an asymmetric swivelling bowl with a specially designed anti splash mesh. The top of the container has a fixed tray for tools, washers, oil plugs etc. The base has a special outlet hose holder.

Part No	Model
39505	Waste oil container 100 l. Standard.
39507	Waste oil container 100 l with ejector and suction probes.
39508	Waste oil container 100 l with ejector, suction probes and 10 l transparent vacuum chamber.
39517	Waste oil container 100 l with ejector and suction probes, without a bowl.
39506	Waste oil unit 100 L with suction pump 1:1 and strainer



39505



39507



39508



39517

70 l Capacity waste oil container with a bowl

Small efficient unit, just what you need, perfect for the small garage. Accessories are the same as for the 100 l unit.

Part No	Model
39405	Waste oil container. Standard 70 l.
39407	Waste oil container 70 l with ejector and suction probes.
39408	Waste oil container 70 l with ejector suction probes and 10 l transparent vacuum chamber.
39417	Waste oil container 70 l with ejector and suction probes without a bowl.
39406	Waste oil unit 70 L with suction pump 1:1 and strainer



24 l Mobile waste oil suction unit

24 L capacity waste oil suction unit with 2 m oil suction hose. When the vacuum is charged up in the container it can be used without air connection.

Part No
39049



70 l Mobile waste oil unit for motorbikes

70 L capacity waste oil unit with a low bowl for motor bikes. The unit can be discharged by gravity or air pressure.

Part No	Volume
39552	70 l



Accessories for the 395 and 394 series units

Part No	Model
2295014	Probe kit with probe holder.
737959	Suction Probe Ø8X6 L1300
2295015	Transparent vacuum chamber with ejector and suction hose.
2295016	Vacuum Pump with Suction Hose
2295117	Quick coupling kit
29310	Waste oil filter (32 mesh) G3/4" (m), 3/4" (M) BSP 550 µm
2490310	Accessorykit for 29310
2085478	Quick coupler G3/4" (f), fits older standard in plastic



Waste oil bowl for drums

Waste oil bowl, with adjustable bung adapter, G2" (m), suitable for mounting in a 208 l or 60 l drum. Ø 480 mm.

Part No	Volume	Height
26502	~20 l	~600 mm



Low level mobile drainer. Units with 20 l to 200 l capacity

Gravity drain collection unit which is discharged using a wall mounted pump kit and quick coupling set.

Part No	Dimension	Volume
39077	1450X820X360 mm	200 l
39075	1250X610X260 mm	~95 l
39073	770X470X130 mm	~20 l



Collection and refilling unit for coolants

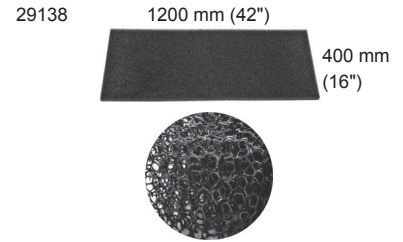
Suitable for draining and refilling the same liquid after completing the service. Consists of a low level waste oil unit (39075), liquid pump (22820), valve (20396), strainer (28303) and filter rug (29138).

Part No	Dimension	Volume
39004	1250X610X260 mm	~95 l



Filter rug

30 mm (1 1/4") thick, for use in waste oil bowls to prevent splatter and contamination entering the discharge pump.



Part No	Model
29138	Filter Rug 400x1200x30 mm for 39004 & 39075
1018095	Cellfoam filter 650x290x30 mm for 39710, 39711 with 30 l bowl
1018096	Cellfoam filter 650x365x30 mm for 39710, 39711 with 45 l bowl

Low mobile drainer with built in emptying pump

Gravity drain collection unit which is discharged using a built-in 5:1 pump 22875.

Part No	Dimension	Volume
39076	1250X610X260 mm	~95 l



Suction pump

For filling and emptying of small containers, gear boxes etc.

Part No	Volume
21040	500 cm ³
21044	800 cm ³



Oil drain & parts cleaning pan

Handy oil drain & parts cleaning pan for washing small parts or for oil drain. Made of oil and chemical resistant polyethylene.

Part No	Model	Volume
21635	Wash/ Waste oil bowl in polyethylene. 8 l	8 l
21619	Wash/ Waste oil bowl in polyethylene. 14 l	14 l
21509	Waste oil container 8 l	8 l



Brake fluid drainer and bleeder

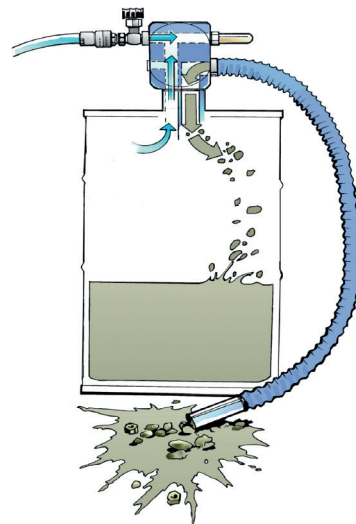
Equipment for bleeding the break or clutch circuit in any motor vehicle. The unit includes: Set of five coupling plugs for connection to the deposit of the brake fluid circuit, universal adapter plug, set of drain deposits with adapters for the bleeding valve.

Part No	Capacity
39560	5 l



Air operated vacuum pump/liquid pump

A reliable drum mounted vacuum pump for fast emptying of cutting fluids, paint sludge, water, waste oil etc. from machine tools, spray booths, engines or other machines. The vacuum is easily adjusted with a needle valve and is indicated on a gauge. When the drum is full, the pump stops automatically and an indicator shows current status.



Vacuum pump, basic model

Basic model, comprising pump body and bung adapter only, for mounting in drums or tank with G2" (f) thread.

Part No	Dimension	Air connection	Inlet
22582	170X170X70 mm	1/4" (F) BSP	Ø 25 mm



Vacuum pump with suction hose and air connection kit

Vacuum pump (22584) complete with suction hose (22588) and air connection kit (22587).

Part No	Air connection
22585	6,35 (1/4") Ø mm (inch)



Portable suction drain unit, OriCan

This unit can be used to drain most fluids - even heavily contaminated - from machinery, engines, gear boxes, coolant containers, etc. The unit consists of an air operated vacuum pump 22585, fitted to an OriCan container made of polyethylene, with carrying handle and Ø 100 mm filling hole. Including 2,2 m suction hose (22588). Suction capacity max. 60 l / min. (water) Max. vacuum 50%. Max. temperature +60 °C.

Part No	Dimension	Volume	Weight (Gross)
22590	150 x 385 x 600 mm	16 l	5,32 kg



Accessories OriCan

Part No	Model	Volume
1085112	Container OriCan 16 l	16 l
1085076	Pump adaptor G2"(f)-G2"(f)	

1085076



1085112



4 Air

Spring operated hose reels	54
Air treatment units (FRL)	55
Air line accessories.....	56
Quick-couplings for compressed air	57

Series ORM

Robust open hose reel made of lacquered steel sheet with oil -resistant reinforced hose. Can be equipped with pivotable bracket, article no 28913. For mounting in any position on wall or ceiling. Recommended mounting height, at least 2.5m above floor. For more information, see Chapter 8 hose reels.

Part No	Media	Dimension	Maximum working pressure	Hose length
45135	Air/Water	12,5 (1/2") mm (inch)	2,0 (20) MPa (bar)	15 m



Series ORS

Open hose reel with low weight made of aluminum with oil -resistant reinforced hose. Can be equipped with pivotable bracket, article no 28913. For mounting in any position on wall or ceiling. Recommended mounting height, at least 2.5m above floor. For more information, see Chapter 8 hose reels.

Part No	Media	Dimension	Maximum working pressure	Hose length
45222	Air/Water	10 (3/8") mm (inch)	2,0 (20) MPa (bar)	10 m
45225	Air/Water	10 (3/8") mm (inch)	2,0 (20) MPa (bar)	15 m
45235	Air/Water	12,5 (1/2") mm (inch)	2,0 (20) MPa (bar)	15 m



Series ORB

Extra robust open hose reel made of lacquered steel sheet with oil -resistant reinforced hose. For mounting in any position on wall, floor or ceiling. Recommended mounting height, at least 2.5m above floor. For more information, see Chapter 8 hose reels.

Part No	Media	Dimension	Maximum working pressure	Hose length
45665	Air/Water	25 (1") mm (inch)	1,5 (15) MPa (bar)	15 m
45638	Air/Water	12,5 (1/2") mm (inch)	1,5 (15) MPa (bar)	30 m



Series CRO

Cased hose reel made of aluminum with oil -resistant reinforced hose. Can be equipped with pivotable bracket, article no 28913. For mounting in any position on wall or ceiling. Recommended mounting height at least 2.5m above floor. For more information, see Chapter 8 hose reels.

Part No	Media	Dimension	Maximum working pressure	Hose length
46222	Air/Water	10 (3/8") mm (inch)	2,0 (20) MPa (bar)	10 m
46225	Air/Water	10 (3/8") mm (inch)	2,0 (20) MPa (bar)	15 m
46235	Air/Water	12,5 (1/2") mm (inch)	2,0 (20) MPa (bar)	15 m



Series CRK

Cased hose reel made of lacquered steel sheet with oil -resistant reinforced hose. Can be equipped with pivotable bracket, article no 28913. For mounting in any position on wall or ceiling. Recommended mounting height at least 2.5m above floor. For more information, see Chapter 8 hose reels.

Part No	Media	Dimension	Maximum working pressure	Hose length
46422	Air/Water	10 (3/8") mm (inch)	2,0 (20) MPa (bar)	10 m
46425	Air/Water	10 (3/8") mm (inch)	2,0 (20) MPa (bar)	15 m
46435	Air/Water	12,5 (1/2") mm (inch)	2,0 (20) MPa (bar)	15 m



Series CRS

Small enclosed hose reel made of lacquered steel sheet with oil -resistant hose. Equipped with pivotable bracket for mounting in optional position on wall or ceiling. For more information, see Chapter 8 hose reels.

Part No	Model	Inlet	Maximum working pressure
46715	Hose Reel CRS black extra flexible composite hose and metal swivel Air/Water 8 (5/16") mm (inch) 15 m	3/8" (F)-(M) BSP	2,0 (20) MPa (bar)
46315	Hose Reel CRS blue composite hose and plastic swivel Air/Water 8 (5/16") mm (inch) 15 m	8 (5/16") mm (inch)	2,0 (20) MPa (bar)
46724	Hose Reel CRS black extra flexible composite hose and metal swivel Air/Water 10 (3/8") mm (inch) 12 m	3/8" (F)-(M) BSP	2,0 (20) MPa (bar)
46324	Hose Reel CRS blue composite hose and plastic swivel Air/Water 10 (3/8") mm (inch) 12 m	8 (5/16") mm (inch)	2,0 (20) MPa (bar)



Air treatment units, 1/4"

These air treatment units combine the best of design with proven materials and production methods. They can handle air flows up to 900 l/min. Material: Zinc. Volume 40 cm³ (filter/regulator), 50 cm³ (lubricator), max working pressure 1,2 MPa (12 bar), temp. +5° to +60 °C

Part No	Model	Type	Connection
42105	FRL-Unit with valve 1/4" (F) BSP	42107, 42009, 42108, 42110	1/4" (F) BSP
42104	FRL-Unit 1/4" (F) BSP	42107, 42108, 42112	1/4" (F) BSP
42103	FR-Unit with valve 1/4" (F) BSP	42009, 42107, 42110	1/4" (F) BSP
42125	Mounting kit FRL 1/4 "		



Shut-off valve

Shut-off valve with downstream air bleed. Material: Brass.

Part No	Maximum working pressure	Connection
42009	1,4 (14) MPa (bar)	1/4" (F) BSP



Filter-regulator

Filter-regulator 0-1 MPa, lockable, two stage filtration, 5 µm filter element. Material: Zinc

Part No	Maximum working pressure	Maximum temperature	Volume	Connection
42107	1,2 (12) MPa (bar)	+5 - +60 °C	40 cm³	1/4" (F) BSP



Air treatment units, 1/2"

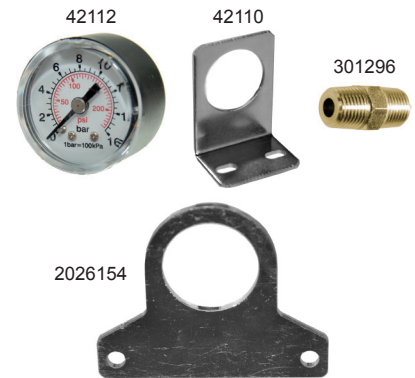
These air treatment units combine the best of design with proven materials and production methods. Material: Zinc. Max working pressure 1,2 MPa (12 bar), temp.+5° to +60 °C.

Part No	Model	Maximum working pressure	Maximum temperature	Connection
42120	FRL Kit 1/2" (F) BSP	1,2 (12) MPa (bar)	+5 - +60 °C	1/2" (F) BSP
42121	Filter/Regulator 1/2" (F) BSP	1,2 (12) MPa (bar)	+5 - +60 °C	1/2" (F) BSP
42126	Filter Regulator 3/4" (F) BSP	1,2 (12) MPa (bar)	+5 - +60 °C	3/4" (F) BSP
42115	Lubricator 1/2" (F) BSP	1,2 (12) MPa (bar)	+5 - 60 °C	1/2" (F) BSP
42124	Mounting kit FRL 1/2 "			



Accessories

Part No	Model
42110	Wall bracket for FRL-units 1/4"
42123	Wall Bracket. for FRL-units 1/2"
42112	Gauge 1/8" (M) BSP Ø 40 mm 0-1,6 (0-16) MPa (bar)
301296	Adaptor Straight 1/4" (M) BSPT
301298	Adaptor Straight 1/2" (M) BSPT
2026154	Bracket for 42103 on 22750, 22760, 22850



Shut-off valves

Ball valves made of brass with PTFE-seals, long or short levers, intended for oil and air lines.

Part No	Model	Maximum working pressure	Connection
28513	Needle valve 1/4" (F)-(M) BSP Compressed air Brass	1,8 (18) MPa (bar)	1/4" (F)-(M) BSP
28515	Needle valve 1/2" (F)-(M) BSP Compressed air Brass	1,8 (18) MPa (bar)	1/2" (F)-(M) BSP



Blow gun

Blow gun for efficient cleaning, made of impact resistant plastic with ergonomically designed handle. Tube length approx. 100 mm

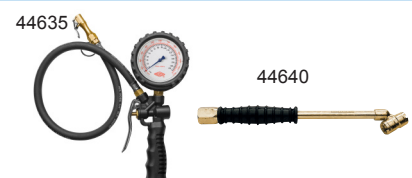
Part No	Connection
44503	1/4" (F) BSP



Tyre inflator

Accurate, ergonomic and durable tyre inflator for all needs of tyre inflation. To be connected to the compressed air line. The gauge is protected by a rubber cover.

Part No	Maximum air pressure	Hose length	Connection
44635	0 - 1,2 (0 - 12) MPa (bar)	0,66 m	1/4" (F) BSP
44640	1,2 (12) MPa (bar)		1/4" (F) BSP



Quick coupling tyre valve

Revolutionary quick connector for tyre valves. Easy one-hand use, it is designed with a self-locking mechanism that secures the connection during inflation. Pull the sleeve to disconnect, similar to any standard air coupler. The coupler is tested and remains fully functional for 100 000 cycles and more.



Part No	Connection
44513	6,35 (1/4") Ø mm (inch)
44514	10 (3/8") mm (inch)
44515	1/4" (F) BSP

Quick coupling assortment

Contains 42 quick couplings 44516 and an assortment of 160 nipples, delivered in a practical bag made of strong plastic material. Contains: 44516 (x42), 48500 (x4), 48501 (x12), 48502 (x6), 48503 (x6), 48504 (x6), 48510 (x9), 48511 (x15), 48512 (x9), 48520 (x15), 48521 (x21), 48522 (x12)

Part No
49010



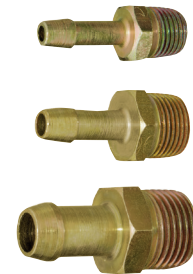
Quick-coupling

Part No	Thread	Model
44516	1/4" (F) BSP	Orion Small
44521	3/8" (F) BSP	Orion Large
44531	1/2" (F) BSP	Orion Large



Hose adapters

Part No	Thread	Connection hose
48510	1/4" (M) BSP	Ø 6,35 (1/4") mm (inch)
48511	1/4" (M) BSP	Ø 8 (5/16") mm (inch)
48512	1/4" (M) BSP	Ø 10 (3/8") mm (inch)
48540	3/8" (M) BSP	Ø 6,35 (1/4") mm (inch)
48541	3/8" (M) BSP	Ø 8 (5/16") mm (inch)
48542	3/8" (M) BSP	Ø 10 (3/8") mm (inch)
48543	3/8" (M) BSP	Ø 13 (1/2") mm (inch)
48603	1/2" (M) BSP	Ø 6,35 (1/4") mm (inch)
48600	1/2" (M) BSP	Ø10 (3/8") mm (inch)
48601	1/2" (M) BSP	Ø13 (1/2") mm (inch)
48602	1/2" (M) BSP	Ø 19 (3/4") mm (inch)



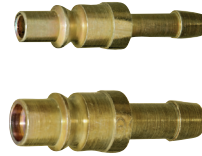
Nipples

Part No	Thread	Model	For Quick-Coupling
48500	1/8" (M) BSP	Orion Small	44516/44523/44526
48501	1/4" (M) BSP	Orion Small	44516/44523/44526
48502	3/8" (M) BSP	Orion Small	44516/44523/44526
48503	1/4" (F) BSP	Orion Small	44516/44523/44526
48504	3/8" (F) BSP	Orion Small	44516/44523/44526
48594	1/4" (M) BSPT	Orion Large	44521/44531/44525/44527/44528
48530	3/8" (M) BSP	Orion Large	44521/44531/44525/44527/44528
48590	1/2" (M) BSPT	Orion Large	44521/44531
48592	3/4" (M) BSPT	Orion Large	44521/44531/44525/44527/44528
48531	3/8" (F) BSP	Orion Large	44521/44531/44525/44527/44528
48591	1/2" (F) BSP	Orion Large	44521/44531/44525/44527/44528



Hose connector

Part No	Model	Connection hose	For Quick-Coupling
48520	Orion Small	Ø 6,35 (1/4") mm (inch)	44516/44523/44526
48521	Orion Small	8 (5/16") mm (inch)	44516/44523/44526
48522	Orion Small	10 (3/8") mm (inch)	44516
48550	Orion Large	Ø 6,35 (1/4") mm (inch)	44521/44531/44525/44527/44528
48551	Orion Large	Ø 8 (5/16") mm (inch)	44521/44531/44525/44527/44528
48552	Orion Large	Ø 10 (3/8") mm (inch)	44521/44531/44525/44527/44528
48553	Orion Large	Ø 13 (1/2") mm (inch)	44521/44531/44525/44527/44528



5 Waterbased fluids/detergents

Air operated liquid pumps.....	60
Mixing units.....	62
Spring operated hose reels	63
Hose end controls.....	64
Spray handles and mobile sprayer	65
Drum pumps, hand operated.....	66
Drum tap, measures, etc	66
Installation accessories	67

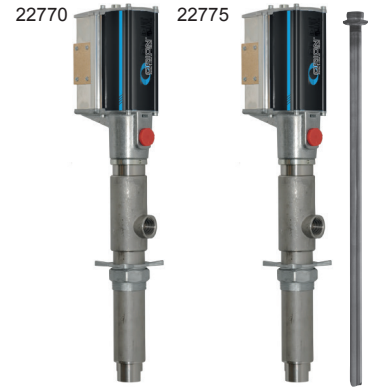
Stainless steel liquid pump, pressure ratio 4:1

Air operated double acting liquid pump for corrosive liquids, windscreen liquid etc. Bung adapter G2" (m) (part No 2125753) included.

Technical data

Ratio	4:1
Capacity	30 l/min free flow
Air connection	1/4" (F) BSP
Maximum air pressure	1,0 (10) MPa (bar)
Inlet	1" (F) BSP
Outlet	1" (F) BSP

Part No	Pump	Seals	Material pump body	Classification
22770	Stub	PTFE / Teflon®	Stainless steel	
22775	208 l Drum	PTFE / Teflon®	Stainless steel	
22771	Stub	PTFE / Teflon®	Stainless steel	ATEX
22776	208 l Drum	PTFE / Teflon®	Stainless steel	ATEX



Stainless steel liquid pump, pressure ratio 1:1

Air operated double acting liquid pump for corrosive liquids, windscreen liquid etc. Bung adapter G2" (m) (part No 2125753) included.

Technical data

Ratio	1:1
Capacity	30 l/min free flow
Air connection	1/4" (F) BSP
Maximum air pressure	1,0 (10) MPa (bar)
Inlet	1" (F) BSP
Outlet	3/4" (M) BSP

Part No	Pump	Seals	Material pump body
22772	Stub	Viton / PTFE	Stainless steel
22777	208 l Drum	PTFE / Teflon®	Stainless steel



Liquid pump, corrosion protected, pressure ratio 1:1

Corrosion protected, air operated, double acting liquid pump. Bung adapter G 2" (m) included.

Technical data

Ratio	1:1
Capacity	40 l/min free flow
Air connection	1/4" (F) BSP
Maximum air pressure	1,0 (10) MPa (bar)
Inlet	1" (F) BSP
Outlet	3/4" (F) BSP

Part No	Pump
22820	Stub
22825	208 l Drum



Drum pump installation kit

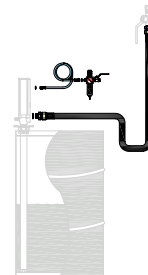
Components for a drum mounted air operated pump (208 l drum or tank). **Note! Pump not included.**

Information

Air line hose L = 1,5 m x 8 mm

Fluid line hose L = 1,5 m

Part No	Model	Media
99625	Installation kit for air operated drum pump	Oil/Glycol
99725	Installation kit for air operated drum pump (excl. FRL)	Oil/Glycol
99675	Connection kit, Components for pump installation to drums.	Water/Antifreeze/Windshield Wash/Degreaser
99775	Drum Pump Installation kit (excl FRL)	Water/Antifreeze/Windshield Wash/Degreaser



Wall mounted pump installation kit, drum

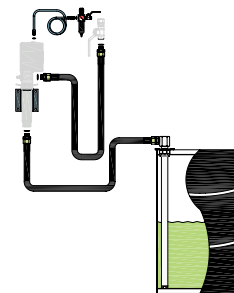
Components for an air operated pump, for 208 l drums and 1.000 l IBC containers. **Note! Pump not included, ordered separately.**

Information

Air line hose L= 1,5 m

Outlet hose L= 1,5 m

Suction hose L= 2 m and suction tube L= 1 m



Part No	Model	Media
99626	Installation kit for a remote wall mounted air operated pump. For drum or IBC	Oil/Glycol
99726	Installation kit for a remote wall mounted air operated pump. For drum or IBC (excl. FRL)	Oil/Glycol
99676	Installation kit for wall mounted stainless steel pump	Water/Antifreeze/Windshield Wash/Degreaser
99776	Installation kit for wall mounted stainless steel pump (excl FRL)	Water/Antifreeze/Windshield Wash/Degreaser

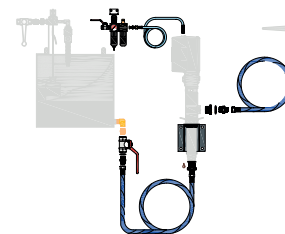
Wall mounted pump installation kit, tank

Components for a remote wall mounted air operated pump with a tank suction attachment. Note: Pump not included, ordered separately.

Information

Air line hose 1,5 m x 8 mm

2 pcs Line hose 1,5 m x 1/2"



Part No	Model	Media
99630	Installation kit stainless steel for a remote wall mounted air operated pump for connection to an tank	Water/Antifreeze/Windshield Wash/Degreaser
99730	Installation kit stainless steel for a remote wall mounted air operated pump for connection to an tank (excl. FRL)	Water/Antifreeze/Windshield Wash/Degreaser

Air operated diaphragm pump 1:1

Transfer pump for connection to bulk tank or drum. Air operated double diaphragm for transferring various fluids.

Technical data

Ratio 1:1
Air connection 3/8" (F) BSP
Maximum air pressure 0,8 (8) MPa (bar)

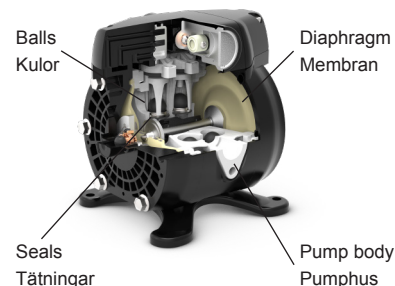
22230 22325 22331



Part No	Media	Capacity	Classification	Connection
22206	Windscreen fluid/ AdBlue®	30 l/min free flow		1/2" - 1/2" (F)-(F) BSP
22208	Fuels, solvents, Toulén, Ethanol, etc.	30 l/min free flow	ATEX	1/2" - 1/2" (F)-(F) BSP
22230	Windscreen fluid/ AdBlue®	50 l/min free flow		1/2" - 1/2" (F)-(F) BSP
22238	Fuels, solvents, Toulén, Ethanol, etc.	50 l/min free flow	ATEX	1/2" - 1/2" (F)-(F) BSP
22241	Windscreen fluid/ AdBlue®	50 l/min free flow	ATEX	1/2" - 1/2" (F)-(F) BSP
22325	Windscreen fluid/ AdBlue®	100 l/min free flow		1" - 1" (F)-(F) BSP

Material description diaphragm pumps (wetted parts)

Part No	Seals	Material pump body	Material diaphragm	Material balls
22206	FKM / Viton®	Polypropylene	TPE / Hytrel®	PTFE / Teflon®
22208	FKM / Viton®	Polypropylene	PTFE / Teflon®	PTFE / Teflon®
22230	FKM / Viton®	Polypropylene	TPE / Hytrel®	PTFE / Teflon®
22238	FKM / Viton®	Polypropylene	PTFE / Teflon®	PTFE / Teflon®
22241	PTFE / Teflon®	Stainless steel (AISI 316)	PTFE / Teflon®	Stainless steel (AISI 316)
22325	FKM / Viton®	Polypropylene	TPE / Hytrel®	PTFE / Teflon®



Wall mounted diaphragm pump installation kit

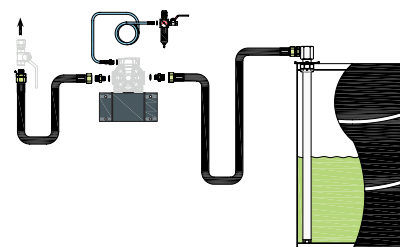
Components for an air operated pump, for 208 l drums and 1.000 l IBC containers. **Note!**
Pump not included, ordered separately.

Information

Air line hose L= 1,5 m

Outlet hose L= 1,5 m

Suction hose L= 2 m and suction tube L= 1 m



Part No	Model	Media
99666	Installation kit for wall mounted air operated diaphragm pump 1/2" for drum	Oil/Glycol
99766	Installation kit for wall mounted air operated diaphragm pump 1/2" for drums (excl. FRL)	Oil/Glycol
99668	Installation kit for wall mounted diaphragm pump 1/2", for 208 l drum or IBC	Water/Antifreeze/Windshield Wash/Degreaser
99669	Installation kit for wall mounted diaphragm pump 1", for 208 l drum or IBC	Water/Antifreeze/Windshield Wash/Degreaser

Mixing pump

Air operated mixing pump for glycol and windshield fluids with a fixed mix. The wall mounted unit has a suction attachment for connection to the concentrate container. Complete unit to connect directly to the air supply line and distribution pipework. We recommend that you invest in control equipment for the concentrate container to prevent unmixed water being distributed when the concentrate container is empty.

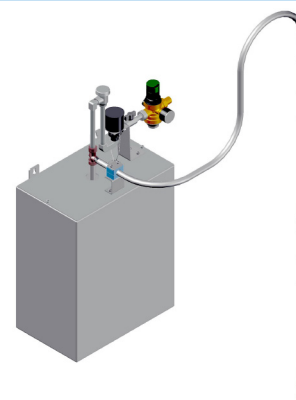
Part No	Capacity	Maximum air pressure
24891	~15 l/min free flow	0,7 (7) MPa (bar)



Mixing unit with ejector from 20% to 50%

Water operated mixing unit with ejector for windshield fluids, adjustable with nozzles between 25% to 50% mix. The wall mounted unit has a suction attachment for connection to the concentrate container. Complete unit for connection to the water line.

Part No	Capacity
24189	15 l/min free flow



To put together a complete mixing and distribution kit

Use a mixing unit (24189), installation kit (99630) and pump (22770). All necessary items are included. We recommend that you invest in control equipment (23842) for the concentrate container to prevent unmixed water being distributed when the container is empty.

Ejector mixing unit

Proportioner that automatically mix liquid cleaning and sanitizing concentrates with water and dispense the diluted solution into any container. The unit is threaded directly onto the container of concentrate or by means of an adaptor. Comes with 13 different nozzles for a dilution range of approx 1:1-100:1 (water : concentrate). NOTE! The outlet hose must not be equipped with any type of shut-off valve, as the water can go backwards into concentrate with risk of overflow. Assure that a backflow valve is fitted to the fresh water line to avoid chemicals entering the water line.



Part No

24188

Series ORM

Robust open hose reel made of lacquered steel sheet with oil -resistant reinforced hose. Can be equipped with pivotable bracket, article no 28913. For mounting in any position on wall or ceiling. Recommended mounting height, at least 2.5m above floor. For more information, see Chapter 8 hose reels.

Part No	Media	Dimension	Maximum working pressure	Hose length
65135	Windscreen fluid/ Degreaser	12,5 (1/2") mm (inch)	7,5 (75) MPa (bar)	15 m



Series ORS

Open hose reel with low weight made of aluminum with oil -resistant reinforced hose. Can be equipped with pivotable bracket, article no 28913. For mounting in any position on wall or ceiling. Recommended mounting height, at least 2.5m above floor. For more information, see Chapter 8 hose reels.

Part No	Media	Dimension	Maximum working pressure	Hose length
45222	Air/Water	10 (3/8") mm (inch)	2,0 (20) MPa (bar)	10 m
45225	Air/Water	10 (3/8") mm (inch)	2,0 (20) MPa (bar)	15 m
45235	Air/Water	12,5 (1/2") mm (inch)	2,0 (20) MPa (bar)	15 m
65232	Windscreen fluid/ Degreaser	12,5 (1/2") mm (inch)	7,5 (75) MPa (bar)	10 m
65235	Windscreen fluid/ Degreaser	12,5 (1/2") mm (inch)	7,5 (75) MPa (bar)	15 m



Series ORL

Robust open hose reel made of lacquered steel sheet with oil -resistant reinforced hose. Can be equipped with pivotable bracket, article no 28913. For mounting in any position on wall or ceiling. Recommended mounting height, at least 2.5m above floor. For more information, see Chapter 8 hose reels.

Part No	Media	Dimension	Maximum working pressure	Hose length
65455	Windscreen fluid/AdBlue®	19 (3/4") mm (inch)	2,0 (20) MPa (bar)	15 m



Series CRO

Cased hose reel made of aluminum with oil -resistant reinforced hose. Can be equipped with pivotable bracket, article no 28913. For mounting in any position on wall or ceiling. Recommended mounting height at least 2.5m above floor. For more information, see Chapter 8 hose reels.

Part No	Media	Dimension	Maximum working pressure	Hose length
46225	Air/Water	10 (3/8") mm (inch)	2,0 (20) MPa (bar)	15 m
46235	Air/Water	12,5 (1/2") mm (inch)	2,0 (20) MPa (bar)	15 m
66232	Windscreen fluid/ Degreaser	12,5 (1/2") mm (inch)	7,5 (75) MPa (bar)	10 m
66235	Windscreen fluid/ Degreaser	12,5 (1/2") mm (inch)	7,5 (75) MPa (bar)	15 m



Series CRK

Cased hose reel made of lacquered steel sheet with oil -resistant reinforced hose. Can be equipped with pivotable bracket, article no 28913. For mounting in any position on wall or ceiling. Recommended mounting height at least 2.5m above floor. For more information, see Chapter 8 hose reels.

Part No	Media	Dimension	Maximum working pressure	Hose length
46425	Air/Water	10 (3/8") mm (inch)	2,0 (20) MPa (bar)	15 m
46435	Air/Water	12,5 (1/2") mm (inch)	2,0 (20) MPa (bar)	15 m
66432	Windscreen fluid/ Degreaser	12,5 (1/2") mm (inch)	7,5 (75) MPa (bar)	10 m
66435	Windscreen fluid/ Degreaser	12,5 (1/2") mm (inch)	7,5 (75) MPa (bar)	15 m



Series CRS

Small enclosed hose reel made of lacquered steel sheet with oil -resistant hose. Equipped with pivotable bracket for mounting in optional position on wall or ceiling. For more information, see Chapter 8 hose reels.

Part No	Model	Inlet	Maximum working pressure
46715	Hose Reel CRS black extra flexible composite hose and metal swivel Air/Water 8 (5/16") mm (inch) 15 m	3/8" (F)-(M) BSP	2,0 (20) MPa (bar)
46315	Hose Reel CRS blue composite hose and plastic swivel Air/Water 8 (5/16") mm (inch) 15 m	8 (5/16") mm (inch)	2,0 (20) MPa (bar)
46724	Hose Reel CRS black extra flexible composite hose and metal swivel Air/Water 10 (3/8") mm (inch) 12 m	3/8" (F)-(M) BSP	2,0 (20) MPa (bar)
46324	Hose Reel CRS blue composite hose and plastic swivel Air/Water 10 (3/8") mm (inch) 12 m	8 (5/16") mm (inch)	2,0 (20) MPa (bar)



Water control valve with rubber outlet

Part No	Connection
24105	1/4" (F) BSP
2410564	3/8" (F) BSP
2410561	1/2" (F) BSP



Water control valve with rigid outlet

Part No	Connection
24106	1/4" (F) BSP
2410664	3/8" (F) BSP
2410661	1/2" (F) BSP



Control valve for water based fluids

Lockable in closed and filling position. For AdBlue®, washer fluid, glycol, brake fluid, detergents.

Technical data

Capacity	30 l/min free flow
Connection	1/2" (F) BSP

Part No	Model
20215	Control valve soft-closing for fluids, lockable with straight outlet hose 1/2" (F) BSP
20255	Control valve soft-closing for fluids, lockable with 60° outlet pipe 1/2" (F) BSP
20277	Control valve soft-closing for fluids, lockable with stainless swivel with outlet hose 90° with stainless steel connections and manual non-drip nozzle 1/2" (F) BSP
20210	Digital hose end meter soft-closing for fluids, lockable with straight outlet hose 1/2" (F) BSP

20215



20255



20277



20210



Wash handle

Technical data

Maximum pressure	3 (30) MPa (bar)
Connection	1/2" (F) BSP

Part No

28367



General information

In practice, industrial substances are mixtures whose compositions and effects on other materials are known only by their manufacturers. This is why testing by the user – possibly in co-ordination with the manufacturer of the spray medium – is so essential. Safety datasheets are usually not sufficient for an accurate evaluation of the material compatibility. Metal sprayers are not suitable for hydrogen peroxide, and plastic units can only be used after preliminary testing and with limited concentrations and exposure periods.

Important factors to consider in choosing a sprayer:

Highest operational temperature (spray medium):

Plastic sprayers 30 °C.

Sprayers with metal tanks 40 °C.

Viscosity of spray medium:

Up to approx. 1,5 times the viscosity of water. If coarser droplets and a reduced spray angle are acceptable, the viscosity can be even greater.

Flammable liquids:

Flammable liquids with a flash point below 55 °C must not be used in sprayers.

Spray handle with spray tube, brass

Designed for use with detergents. Consists of a brass valve body with brass outlet tube and two nozzles, one with an adjustable spray pattern.

Part No	Maximum working pressure	Length	Connection
24108	3,5 (35) MPa (bar)	720 mm	3/8" (F) BSP

24108



Spray handle with spray tube

Designed for use with detergents. Consists of a thermoplastic valve body (24680) with an brass or stainless steel outlet tube. Two different spray nozzles for water and petroleum based detergents.

Part No	Outlet	Length	Connection
24098	Brass	500 mm	1/2" (F) BSP
24099	Brass	915 mm	1/2" (F) BSP
24225	Stainless steel	1000 mm	1/2" (F) BSP

24099



24098

Mobile sprayer

Air operated sprayer, comprising of a steel container, fitted with a compressed air connection and pressure gauge, Ø 30 mm (1 1/4") filler hole, sight gauge and two Ø 100 mm (4") wheels. Preload the container with compressed air 0,3-0,7 MPa (3-7 bar). The dispenser can be used without permanent connection to air pressure. Max. admissible tank capacity is 3/4 of total capacity. Complete with 1,5 m hose and spray handle. Note: Suitable for petroleum based detergents only!

Part No	Dimension	Volume	Weight (Gross)
22422	350 x 380 x 780 mm	~24 l	13,9 kg



Rotary pump

For water based fluids and other chemicals. Made of PVC with Ø 27 mm outlet pipe and G2" (m) bung adapter.

Part No	Capacity	Riser tube length	Pump tube
21200	0,3 l/revolution	280-1030 mm	ø 44 mm



Drum pump

Wide range of hand-operated piston pumps in several models in different materials for the highest compatibility with different types of liquids. Delivered with telescopic suction tube, G2" and G1 1/2" bung adapter.

Part No	Model	Media	Capacity	Colour
21210	Pump hand-operated barrel polypropylene with steel piston rod. 0,3 - 0,45 l/stroke	Antifreeze/Degreaser	0,3 - 0,45 l/stroke	Black/blue
21211	Drum pump made of polypropylene 0,3-0,45 l/stroke	Antifreeze/Degreaser	0,3-0,45 l/stroke	Black/green
21215	Drum Pump. Made of Ryton with the piston made of stainless steel. 0,3 - 0,45 l/stroke	Water/Antifreeze/Windshield Wash/Degreaser	0,3 - 0,45 l/stroke	Black
21131	Drum Pump PP/EPDM 0,5 l/stroke	Water/Antifreeze/Degreaser	0,5 l/stroke	Black/blue
21132	Drum Pump PP/Viton 0,5 l/stroke	Water/Antifreeze/Windshield Wash/Degreaser	0,5 l/stroke	Black/red
21122	Drum Pump 208 l drum. Made of polypropylene with Viton seals. Water/Antifreeze/Windshield Wash/Degreaser	Water/Antifreeze/Windshield Wash/Degreaser	0,3 l/stroke	Black/blue



Drum pump

Part No	Riser tube length	Material
21027	1000 mm	Nylon 6
21047	500 mm	Nylon 6
21028	1000 mm	Polypropylene
21048	500 mm	Polypropylene
21300	700 mm	Stainless steel



Manual syphon pumps

Part No	Capacity	For container	Riser tube length
21230	~6,5 l/min free flow	25 l	390 mm
21232	~18,5 l/min free flow	208 l	850 mm



Plastic measures

Measuring jugs with handle, made of polyethylene, resistant to oil, gasoline and chemicals.

Part No	Volume
21625	1,0 l
21626	2,0 l
21657	3,0 l
21627	5,0 l



Anti-splash funnels

Part No	Dimension
21632	Ø 190 mm
21605	Ø 230 mm



Air treatment units

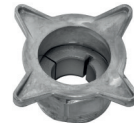
Part No	Model	Type	Connection
42103	FR-Unit with valve 1/4" (F) BSP	42009, 42107, 42110	1/4" (F) BSP
42105	FRL-Unit with valve 1/4" (F) BSP	42107, 42009, 42108, 42110	1/4" (F) BSP
2026154	Bracket for 42103 on 22750, 22760, 22850		



Bung adapters

With split collar. G2" (m) thread for drum or drum covers.

Part No	Pump	Pump tube
28595	22700, 22705, 22720, 22725, 22750, 22752, 22772	Ø 50 mm
28592	22800, 22802, 22805, 22820, 22825, 22850, 22852	Ø 52 mm
2125753	22770, 22775	Ø 54 mm



Wall bracket and floor stand

Part No	Model
28524	Wall bracket pump mounting thread G2" (f).
28506	Floor bracket pump mounting thread G2" (f).
28553	Wall bracket for diaphragm pump 1/2"
28552	Wall bracket for 1" diaphragm pump.



Strainers

For mounting in pipe lines to prevent meters being damaged due to contamination. Washable cartridge of stainless steel. Max 5 MPa (50 bar).

Part No	Thread	Material	Filtration
28022	1/2" (F) BSP	Stainless steel	400 µm
28059	3/4" (F) BSP	Stainless steel	400 µm



Distribution hoses

Nitrile rubber hoses, 1/2" i.d. steel braided, PN 13,8 MPa (138 bar), swaged couplings G1/2" swivelling nuts, incl. two connection adapters, G1/2" (m) - G3/4" (m).

Technical data

Thread 1/2" 3/4" (F)-(M) BSP

Part No	Length
28009	2 m
28010	3 m
28011	4 m
28012	5 m
28013	6 m
28015	8 m



Connection hoses

Connection hose, steel braided, swaged couplings with swivelling nuts and adapter.

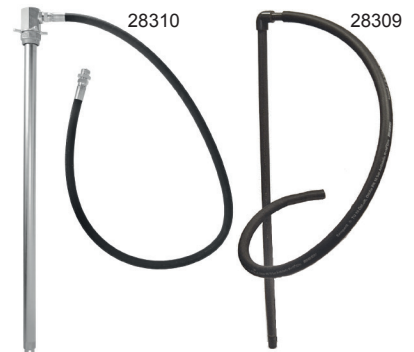
Part No	Media	Thread	Length
28078	Oil/Glycol	1" (F)-(M) BSP	1,0 m
28080	Oil/Glycol	1" 90° (F)-(M) BSP	1,0 m
28079	Oil/Glycol	3/4" 1" (F)-(M) BSP	1,5 m
28639	Water/Antifreeze/Windshield Wash/Degreaser	1/2" 3/4" (M)-(M) BSP	1,5 m
28649	Water/Antifreeze/Windshield Wash/Degreaser	1/2" 3/4"/1" (M)-(M) BSP	1,5 m
24228	Water/Antifreeze/Windshield Wash/Degreaser	1/2" 1/2" (F)-(F) BSP	2 m



Drum suction attachments

Riser tube with foot valve and G2" bung adapter, hose 3/4" i.d., with swaged couplings G3/4" swivelling nut incl. adapters, G3/4" (m). Suction tube diameter for 28310 and 28311 Ø 42 mm.

Part No	Media	Dimension	Hose length	Riser tube length
28310	Oil/Glycol	19 (3/4") mm (inch)	2 m	1,08 m
28311	Oil/Glycol	19 (3/4") mm (inch)	2 m	1,7 m
28309	Water/Antifreeze/Windshield Wash/Degreaser	19 (3/4") mm (inch)	2 m	1,08 m
28409	Water/Antifreeze/Windshield Wash/Degreaser	25 (1") mm (inch)	2 m	1,2 m



Drip holsters

To protect hose end meters and control valves when not in use and to collect any drips.

Part No	Model
29090	Drip holster. Standard
29086	Drip holster with separate drip container.



6 Diesel

Electric diesel pumps.....	70
Tryckluftsdrivna pumpar för diesel.....	71
Air operated diaphragm diesel pumps.....	71
Spring operated hose reels	72
Funnels and jerry cans	72

Wall mounted pump kit 230 VAC 70 l/min.

70 l/min. pump mounted on a bracket for wall or tank mounting. The unit includes a 230 V diesel pump with on/off switch and 1.8 m cable, wall bracket, 4 m delivery hose, automatic nozzle and a three digit meter, flange mounted to the pump. Fluid inlet connection: 1" BSP (f). Meter valid for non commercial applications only.

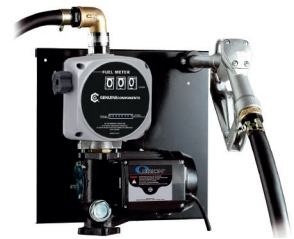
Part No
53700



Wall mounted pump kit 230 VAC 50 l/min.

70 l/min. pump mounted on a bracket for wall or tank mounting. The unit includes a 230 V diesel pump with on/off switch and 1.8 m cable, wall bracket, 4 m delivery hose, automatic nozzle and a three digit meter, flange mounted to the pump. Fluid inlet connection: 1" BSP (f). Meter valid for non commercial applications only.

Part No
53701



Diesel transfer pump kit 230 VAC 50 and 70 l/min.

Technical data

Voltage	230 V AC
Hose length	4 m
Cable length	2 m

Part No	Capacity
53710	50 l/min free flow
53713	70 l/min free flow



Diesel transfer pump kit 12 or 24 VDC

Technical data

Hose length	4 m
Cable length	2 m

Part No	Capacity	Voltage
53711	40 l/min free flow	24 V DC
53712	40 l/min free flow	12 V DC
53714	60 l/min free flow	12 V DC



Diesel transfer pumps

Self priming pumps with self-adjustable vanes. Pump body made of castiron with rustproof treatment, rotor of sintered steel and vanes of acetal resin. The pump includes a by-pass valve and a built in filter with easy access for cleaning.

Technical data

Connection	1" (F)-(F) BSP
------------	----------------

Part No	Capacity	Voltage
53740	50 l/min free flow	230 V AC
53741	70 l/min free flow	230 V AC
53736	65 l/min free flow	24 V DC
53730	40 l/min free flow	12 V DC
53731	60 l/min free flow	12 V DC



Diesel pump accessories

Part No	Model	Connection
23605	Automatic nozzle diesel	1" (F) BSP
23608	Automatic Nozzle Diesel	1" (F) BSP
23606	Manual Diesel Nozzle	1" (F) BSP
23607	Inlet Swivel Diesel for G1"(f) Nozzles.	
23604	Swivel Diesel 3/4"(m)-1"(f) for 23605	
23603	Swivel Diesel 1"(m)-1"(f), rotating 90 degree	
28321	Suction hose 5 m with foot valve	
23609	Suction attachment with telescopic suction tube 1000/1800 mm	
38660100	Hose nipple brass 3/4" (19) - 1" ØMM-(M) BSP	



Meters

Part No	Model	Capacity	Maximum working pressure	Connection
23610	Diesel Meter 100 l/min.	10-100 l/min free flow	1,0 (10) MPa (bar)	1" (F)-(F) BSP
24759	Digital turbine meter 1" (F) BSP	5-120 l/min free flow	1,0 (10) MPa (bar)	1" (F) BSP



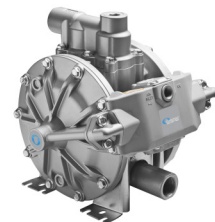
Membranpump 1:1

Överföringspump för tank eller fat. Tryckluftdriven membranpump för överföring av olika vätskor.

Tekniska data

Max luftryck 0,8 (8) MPa (bar)

Art. Nr	Kapacitet	Luftanslutning	Utlopp
22332	200 l/min fritt flöde	3/8" Inv (G)	1" Inv (G)



Installation kit for diaphragm pump

Components for an air operated pump, for 208 l drums and 1.000 l IBC containers. **Note! Pump not included, ordered separately.**

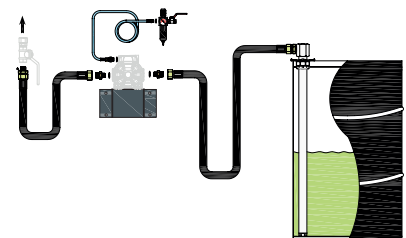
Information

Air line hose L= 1,5 m

Outlet hose L= 1,5 m

Suction hose L= 2 m and suction tube L= 1 m

Part No	Model
99666	Installation kit for wall mounted air operated diaphragm pump 1/2" for drum
99766	Installation kit for wall mounted air operated diaphragm pump 1/2" for drums (excl. FRL)
99667	Installation kit for wall mounted air operated diaphragm pump 1" for drum
99767	Installation kit for wall mounted air operated diaphragm pump 1" for drum (excl. FRL)



Series ORL

Robust open hose reel made of lacquered steel sheet with oil -resistant reinforced hose. Can be equipped with pivotable bracket, article no 28913. For mounting in any position on wall or ceiling. Recommended mounting height, at least 2.5m above floor. For more information, see Chapter 8 hose reels.

Part No	Media	Dimension	Maximum working pressure	Hose length
25436	Oil/Air/Diesel	12,5 (1/2") mm (inch)	7,5 (75) MPa (bar)	20 m
25455	Oil/Air/Diesel	19 (3/4") mm (inch)	7,5 (75) MPa (bar)	15 m



Series ORB

Extra robust open hose reel made of lacquered steel sheet with oil -resistant reinforced hose. For mounting in any position on wall, floor or ceiling. Recommended mounting height, at least 2.5m above floor. For more information, see Chapter 8 hose reels.

Part No	Media	Dimension	Maximum working pressure	Hose length
25657	Oil/Air/Diesel	19 (3/4") mm (inch)	7,5 (75) MPa (bar)	25 m
25665	Oil/Air/Diesel	25 (1") mm (inch)	7,5 (75) MPa (bar)	15 m



Series ORH

Extra robust open hose reel made of lacquered steel sheet with oil -resistant reinforced hose. For mounting on floor. For more information, see Chapter 8 hose reels.

Part No	Media	Dimension	Maximum working pressure	Hose length
25885	Oil/Diesel	37,5 (1 1/2") mm (inch)	2,0 (20) MPa (bar)	15 m



Series CRK

Cased hose reel made of lacquered steel sheet with oil -resistant reinforced hose. Can be equipped with pivotable bracket, article no 28913. For mounting in any position on wall or ceiling. Recommended mounting height at least 2.5m above floor. For more information, see Chapter 8 hose reels.

Part No	Media	Dimension	Hose length
36441	Waste oil/Diesel	16 (5/8") mm (inch)	6 m



Plastic jerry cans

Suitable solution for storing and supplying fuel. Manufactured in a resistant red opaque HDPE. Product includes cap to avoid spillage and spout to ease delivery. They are ideal for keeping a fuel safety stock or for manually refuelling machines or vehicles where needed. There are three sizes available, all UN Approved.

Part No	Model	Volume
21675	Jerrycan Plastic 5L	5 l
21676	Jerrycan Plastic 10L	10 l
21677	Jerrycan Plastic 20L	20 l



Metal jerry cans

Suitable solution for storing and supplying fuel. Manufactured in a resistant sturdy metal construction with protective paint. Product includes cap to avoid spillage. They are ideal for keeping a fuel safety stock or for manually refuelling machines or vehicles where needed. There are three sizes available, all UN Approved. Outlet spout not included.

Part No	Model	Volume
21685	Jerrycan Metal 5L	5 l
21686	Jerrycan Metal 10L	10 l
21687	Jerrycan Metal 20L	20 l
21690	Spout for Jerry Can	



7 AdBlue

AdBlue® electric pumps	76
Air operated AdBlue® pumps	77
Spring operated hose reels	77
AdBlue® nozzles & meters.....	79
Hand operated drum pump.....	80
AdBlue® accessories	80

Electric 230 V diaphragm pump

Self-priming electric pump suitable for professional transfer of AdBlue® and other water-based non corrosive fluids from IBCs, drums or other containers.

Technical data

Capacity	31 l/min free flow
Maximum pressure	0,16 (1,6) MPa (bar)
Cable length	2 m
Max suction height	1,8 m
Connection	1" (M) BSP



Part No	Motor	Voltage
55520	400 W	230 V AC

Electrical 12/24 V diaphragm pump

Self-priming electric pump suitable for professional transfer of AdBlue® and other water-based non corrosive fluids from IBCs, drums or other containers.

Technical data

Capacity	35 l/min free flow
Maximum pressure	0,16 (1,6) MPa (bar)
Cable length	2 m
Max suction height	1,8 m
Connection	1" (M) BSP



Part No	Motor	Voltage
55530	260 W	12 V DC
55531	310 W	24 V DC

Distribution kit with electric pump

Consisting of electric diaphragm pump, 2,5 m suction hose with foot valve and 4 m outlet hose with manual nozzle.

Part No	Pump	Voltage
75010	55520	230 V AC
75011	55530	12 V DC
75012	55531	24 V DC



Mobile AdBlue® dispenser with electric pump 230 VAC and meter

Consisting of drum trolley with electric diaphragm pump 230 VAC, 1,5 m suction hose with suction strainer and 3 m outlet hose with automatic nozzle. Electric cable reel for increased operating range available as an accessory sold separately.

Part No	Model
75020	Mobile AdBlue® Dispenser with diaphragm pump 230 V and meter
53621	Cable Reel Electric 10 m 230 V AC
28654	Bracket for cable or hose reel



Air operated diaphragm pump 1:1

Air operated diaphragm pump for AdBlue® etc. Polypropylene model is suitable for transfer applications. Stainless steel model is suitable for pipe installations.

Technical data

Air connection	3/8" (F) BSP
Maximum air pressure	0,8 (8) MPa (bar)
Inlet	1/2" (F) BSP
Outlet	1/2" (F) BSP

Part No	Capacity	Material pump body
22206	30 l/min free flow	Polypropylene
22230	50 l/min free flow	Polypropylene
22241	50 l/min free flow	Stainless steel (AISI 316)



Wall mounted diaphragm pump installation kit

Components for an air operated pump, for 208 l drums and 1.000 l IBC containers. **Note! Pump not included, ordered separately.**

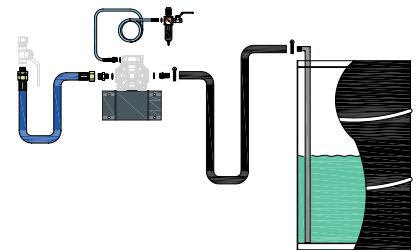
Information

Air line hose L= 1,5 m

Outlet hose L= 1,5 m

Suction hose L= 2 m and suction tube L= 1 m

Part No	Model
99668	Installation kit for wall mounted diaphragm pump 1/2", for 208 l drum or IBC



Mobile AdBlue® dispenser with air operated diaphragm pump and meter

Consisting of drum trolley with air operated diaphragm pump 22206, 1,5 m suction hose with suction strainer and 3 m outlet hose with automatic nozzle. Air hose reel for increased operating range available as an accessory sold separately.

Part No	Model
75060	Mobile dispenser Adblue® with air operated diaphragm pump 22206 automatic nozzle, meter and trolley
46315	Hose Reel CRS blue composite hose and plastic swivel Air/Water 8 (5/16") mm (inch) 15 m
28654	Bracket for cable or hose reel



Series ORS

Open hose reel with low weight made of aluminum with oil -resistant reinforced hose. Can be equipped with pivotable bracket, article no 28913. For mounting in any position on wall or ceiling. Recommended mounting height, at least 2.5m above floor. For more information, see Chapter 8 hose reels.

Part No	Media	Dimension	Maximum working pressure	Hose length
75232	AdBlue®	12,5 (1/2") mm (inch)	1,5 (15) MPa (bar)	10 m
75235	AdBlue®	12,5 (1/2") mm (inch)	1,5 (15) MPa (bar)	15 m



Series OR

Open hose reel made of lacquered steel sheet with oil -resistant reinforced hose. Can be equipped with pivotable bracket, article no 28902. For mounting in any position on wall or ceiling. Recommended mounting height, at least 2.5m above floor. For more information, see Chapter 8 hose reels.

Part No	Media	Dimension	Maximum working pressure	Hose length
24971	AdBlue®	12,5 (1/2") mm (inch)	6,0 (60) MPa (bar)	20 m
75355	AdBlue®	19 (3/4") mm (inch)	1,8 (18) MPa (bar)	15 m



Series ORL

Robust open hose reel made of lacquered steel sheet with oil -resistant reinforced hose. Can be equipped with pivotable bracket, article no 28913. For mounting in any position on wall or ceiling. Recommended mounting height, at least 2.5m above floor. For more information, see Chapter 8 hose reels.

Part No	Media	Dimension	Maximum working pressure	Hose length
65455	Windscreen fluid/AdBlue®	19 (3/4") mm (inch)	2,0 (20) MPa (bar)	15 m



Series CRK

Cased hose reel made of lacquered steel sheet with oil -resistant reinforced hose. Can be equipped with pivotable bracket, article no 28913. For mounting in any position on wall or ceiling. Recommended mounting height at least 2.5m above floor. For more information, see Chapter 8 hose reels.

Part No	Media	Dimension	Maximum working pressure	Hose length
76432	AdBlue®	12,5 (1/2") mm (inch)	3,0 (30) MPa (bar)	10 m
76435	AdBlue®	12,5 (1/2") mm (inch)	3,0 (30) MPa (bar)	15 m



Series CRO

Cased hose reel made of aluminum with oil -resistant reinforced hose. Can be equipped with pivotable bracket, article no 28913. For mounting in any position on wall or ceiling. Recommended mounting height at least 2.5m above floor. For more information, see Chapter 8 hose reels.

Part No	Media	Dimension	Maximum working pressure	Hose length
76232	AdBlue®	12,5 (1/2") mm (inch)	1,5 (15) MPa (bar)	10 m
76235	AdBlue®	12,5 (1/2") mm (inch)	1,5 (15) MPa (bar)	15 m



Series ORM

Robust open hose reel made of lacquered steel sheet with oil -resistant reinforced hose. Can be equipped with pivotable bracket, article no 28913. For mounting in any position on wall or ceiling. Recommended mounting height, at least 2.5m above floor. For more information, see Chapter 8 hose reels.

Part No	Media	Dimension	Maximum working pressure	Hose length
75135	AdBlue®	12,5 (1/2") mm (inch)	1,5 (15) MPa (bar)	15 m

AdBlue® nozzles

Part No	Model	Capacity	Connection
70215	Control valve soft-closing for AdBlue®, lockable with straight outlet hose 1/2" (F) BSP	30 l/min free flow	1/2" (F) BSP
23580	Nozzle manual AdBlue® with swivel	90 l/min free flow	1" (F) BSP
75203	Nozzle Manual Adblue®	80 l/min free flow	ø19 mm
23577	Nozzle automatic AdBlue® with swivel	45 l/min free flow	19 (3/4") mm (inch)
75204	Nozzle Automatic AdBlue® with swivel	45 l/min free flow	1/2" (M) BSP
75200	Nozzle automatic Adblue®, with swivel and magnetic mis-filling device	45 l/min free flow	19 (3/4") Ø mm (inch)
75201	Nozzle automatic Adblue® Elaflex with swivel	10 l/min free flow	1" (M) BSP
75202	Nozzle automatic Adblue®, with swivel	10 l/min free flow	19 (3/4") mm (inch)
75205	Nozzle automatic for Adblue®, with swivel	10 l/min free flow	1/2" (M) BSP
75211	Sleeve G1"(f) Stainless Steel		1" (F) BSP
75210	Swivel Chem 1/2" - 1" (M)-(M) BSP Stainless steel		1/2" - 1" (M)-(M) BSP
24621	Swivel chem G1/2"(m) - G1/2"(m) stainless steel		1/2" (M)-(M) BSP
24623	Swivel Chemicals G3/4"(f)-G3/4"(m) Stainless steel		3/4" - 3/4" (F)-(M) BSP



AdBlue® hose end meter

Technical data

Capacity 30 l/min free flow
 Maximum working pressure 3,0 (30) MPa (bar)
 Connection 1/2" (F) BSP

Part No	Model
70210	Digital hose end meter soft-closing for AdBlue®, lockable with straight outlet hose 1/2" (F) BSP



AdBlue® meter

AdBlue® meter with big display for simple installation. The meter can be installed directly on the control valve or at the end of the hose. The meter is powered by two batteries which can be easily replaced.

Part No	Model	Capacity	Maximum working pressure	Connection
24759	Digital turbine meter 1" (F) BSP	5-120 l/min free flow	1,0 (10) MPa (bar)	1" (F) BSP
25051	Digital inline-meter G1/2"(f) stainless steel	1 - 50 l/min free flow	10 (100) MPa (bar)	1/2" (F) BSP
25052	Digital inline-meter G1/2"(f) PVC	1 - 50 l/min free flow	3,0 (30) MPa (bar)	1/2" (F) BSP



Hand operated drum pump

Wide range of hand-operated piston pumps in several models in different materials for the highest compatibility with different types of liquids. Delivered with telescopic suction tube, G2" and G1 1/2" bung adapter.



Part No	Model	Capacity
21131	Drum Pump PP/EPDM 0,5 l/stroke	0,5 l/stroke
21122	Drum Pump 208 l drum. Made of polypropylene with Viton seals. Water/ Antifreeze/Windshield Wash/Degreaser	0,3 l/stroke
28400	Hose Adblue® 2Mx3/4" with Valve for 21122 & 21131	

Rotary pump

For water based fluids and other chemicals. Made of PVC with Ø 27 mm outlet pipe and G2" (m) bung adapter.

Part No	Capacity	Riser tube length	Pump tube	Weight (Gross)
21200	0,3 l/revolution	280-1030 mm	ø 44 mm	1,95 kg



Drum adapters

Part No	Model
28235	Adapter G2" (f) - Trisure Ø 56 mm, pitch approx. 4 mm (m)
28238	Adapter G2" (f) - Mauser Ø 70 mm, pitch approx. 6 mm (m)
2310035	Adapter G2" (f) - DIN 70 (f) pitch approx. 6 mm



Accessories

Part No	Model
7350012	Hose fitting G1" (f) - Ø20 mm Plastic
7350013	Hose fitting G1" (f) - Ø25 mm Plastic
7350021	Check valve G1"(f) - G1"(f)
7350020	Foot valve with strainer G1"(f) Plastic
75300	Pump Bracket for Plastic Drums and IBC containers.



8 Hose reels

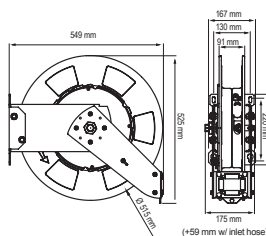
Hose reels, open	82
Hose reels, enclosed	85
Electric cable reels	87
Hose reel accessories	87

General information

Wherever longer hoses are required it is strongly recommended that hose reels are used. There are several advantages in using hose reels, such as longer hose life, increased safety and improved efficiency. Once installed the hose is always readily available but can be retracted out of the way when not in use. Hose free floors will reduce the risk of accidents due to tripping and will also aid identification. As a consequence they help to increase the efficiency and hence the profitability of the workshop. Hose reels can be installed on the wall, floor or ceiling or to special frameworks. We recommend that they should be installed at least 2,5 meters above the floor. Certain larger models are only for floor mounting. Powder coated in RAL7012.

Series ORM

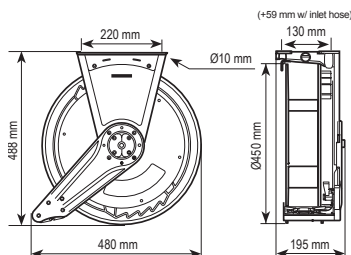
Robust open hose reel made of lacquered steel sheet with oil -resistant reinforced hose. Can be equipped with pivotable bracket, article no 28913. For mounting in any position on wall or ceiling. Recommended mounting height, at least 2.5m above floor.



Part No	Media	Dimension	Inlet	Outlet	Maximum working pressure	Hose length
45135	Air/Water	12,5 (1/2") mm (inch)	1/2" (F)-(M) BSP	1/2" (M) BSP	2,0 (20) MPa (bar)	15 m
25135	Oil/Air	12,5 (1/2") mm (inch)	1/2" (F)-(M) BSP	1/2" (F)-(M) BSP	7,5 (75) MPa (bar)	15 m
15125	Grease	10 (3/8") mm (inch)	3/8" (F)-(M) BSP	1/4" (M) BSPT	35 (350) MPa (bar)	15 m
55125	Hot water	10 (3/8") mm (inch)	3/8" (F)-(M) BSP	3/8" (F)-(M) BSP	18 (180) MPa (bar)	15 m
65135	Windscreen fluid/Degreaser	12,5 (1/2") mm (inch)	1/2" (F)-(M) BSP	1/2" (F)-(M) BSP	7,5 (75) MPa (bar)	15 m
75135	AdBlue®	12,5 (1/2") mm (inch)	1/2" (F)-(M) BSP	1/2" (F)-(M) BSP	1,5 (15) MPa (bar)	15 m
25105	Oil/Air		1/2" (M) BSP	1/2" (M) BSP	7,5 (75) MPa (bar)	15 m max (without hose)
15105	Grease	10 (3/8") mm (inch)			35 (350) MPa (bar)	15 m max (without hose)

Series ORS

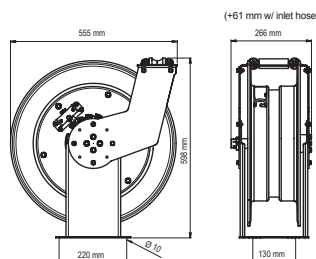
Open hose reel with low weight made of aluminum with oil -resistant reinforced hose. Can be equipped with pivotable bracket, article no 28913. For mounting in any position on wall or ceiling. Recommended mounting height, at least 2.5m above floor.



Part No	Media	Dimension	Inlet	Outlet	Maximum working pressure	Hose length
45222	Air/Water	10 (3/8") mm (inch)	1/2" (F)-(M) BSP	3/8" (M) BSP	2,0 (20) MPa (bar)	10 m
45225	Air/Water	10 (3/8") mm (inch)	1/2" (F)-(M) BSP	3/8" (M) BSP	2,0 (20) MPa (bar)	15 m
45235	Air/Water	12,5 (1/2") mm (inch)	1/2" (F)-(M) BSP	1/2" (M) BSP	2,0 (20) MPa (bar)	15 m
25232	Oil/Air	12,5 (1/2") mm (inch)	1/2" (F)-(M) BSP	1/2" (F)-(M) BSP	10 (100) MPa (bar)	10 m
25235	Oil/Air	12,5 (1/2") mm (inch)	1/2" (F)-(M) BSP	1/2" (F)-(M) BSP	10 (100) MPa (bar)	15 m
15212	Grease	6,35 (1/4") mm (inch)	1/4" (F)-(M) BSP	1/4" (M) BSP	35 (350) MPa (bar)	10 m
15225	Grease	10 (3/8") mm (inch)	3/8" (F)-(M) BSP	1/4" (M) BSP	35 (350) MPa (bar)	15 m
55225	Hot water	10 (3/8") mm (inch)	3/8" (F)-(M) BSP	3/8" (F)-(M) BSP	17 (170) MPa (bar)	15 m
65232	Windscreen fluid/Degreaser	12,5 (1/2") mm (inch)	1/2" (F)-(M) BSP	1/2" (F)-(M) BSP	7,5 (75) MPa (bar)	10 m
65235	Windscreen fluid/Degreaser	12,5 (1/2") mm (inch)	1/2" (F)-(M) BSP	1/2" (F)-(M) BSP	7,5 (75) MPa (bar)	15 m
35241	Waste oil	16 (5/8") mm (inch)	1/2" (F)-(M) BSP	1/2" (F)-(M) BSP		6 m
75232	AdBlue®	12,5 (1/2") mm (inch)	1/2" (F)-(M) BSP	1/2" (F)-(M) BSP	1,5 (15) MPa (bar)	10 m
25205	Oil		1/2" (M) BSP	1/2" (M) BSP	10 (100) MPa (bar)	15 m max (without hose)

Series ORL

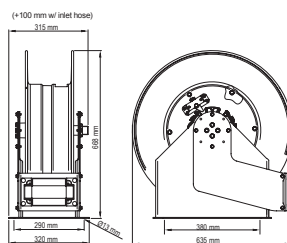
Robust open hose reel made of lacquered steel sheet with oil -resistant reinforced hose. Can be equipped with pivotable bracket, article no 28913. For mounting in any position on wall or ceiling. Recommended mounting height, at least 2.5m above floor.



Part No	Media	Dimension	Inlet	Outlet	Maximum working pressure	Hose length
25436	Oil/Air/Diesel	12,5 (1/2") mm (inch)	1/2" (F)-(M) BSP	1/2" (F)-(M) BSP	7,5 (75) MPa (bar)	20 m
25455	Oil/Air/Diesel	19 (3/4") mm (inch)	3/4" (F)-(M) BSP	3/4" (F)-(M) BSP	7,5 (75) MPa (bar)	15 m
15436	Grease	12,5 (1/2") mm (inch)	1/2" (F)-(M) BSP	1/2" (F)-(M) BSP	27,5 (275) MPa (bar)	20 m
65455	Windscreen fluid/AdBlue®	19 (3/4") mm (inch)	3/4" (F)-(M) BSP	3/4" (F)-(M) BSP	2,0 (20) MPa (bar)	15 m
25406	Oil/Air/Diesel		1/2" (F) BSP	1/2" (M) BSP	7,5 (75) MPa (bar)	20 m max (without hose)

Series ORB

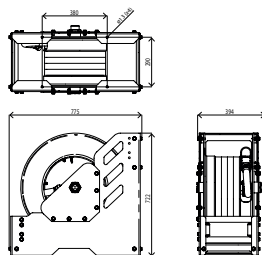
Extra robust open hose reel made of lacquered steel sheet with oil -resistant reinforced hose. For mounting in any position on wall, floor or ceiling. Recommended mounting height, at least 2.5m above floor.



Part No	Media	Dimension	Inlet	Outlet	Maximum working pressure	Hose length
25638	Oil/Air	12,5 (1/2") mm (inch)	1" (F)-(M) BSP	1/2" (F)-(M) BSP	7,5 (75) MPa (bar)	30 m
25656	Oil/Air	19 (3/4") mm (inch)	3/4" (F)-(M) BSP	3/4" (F)-(M) BSP	7,5 (75) MPa (bar)	20 m
25657	Oil/Air/Diesel	19 (3/4") mm (inch)	3/4" (F)-(M) BSP	3/4" (F)-(M) BSP	7,5 (75) MPa (bar)	25 m
25665	Oil/Air/Diesel	25 (1") mm (inch)	1" (F)-(M) BSP	1" (F)-(M) BSP	7,5 (75) MPa (bar)	15 m
45665	Air/Water	25 (1") mm (inch)	1" (F)-(M) BSP	1" (F)-(M) BSP	1,5 (15) MPa (bar)	15 m
45638	Air/Water	12,5 (1/2") mm (inch)	1/2" (F)-(M) BSP	1/2" (F)-(M) BSP	1,5 (15) MPa (bar)	30 m
25606	Oil/Air/Diesel		1" (M) BSP	1" (F) BSP	7,5 (75) MPa (bar)	1"x15 / 3/4"x20 m max (without hose)
25608	Oil/Air/Diesel		1" (M) BSP	1" (F) BSP	7,5 (75) MPa (bar)	1/2"x30 / 3/4"x25 m max (without hose)

Series ORH

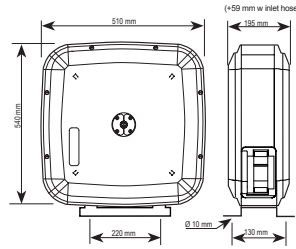
Extra robust open hose reel made of lacquered steel sheet with oil -resistant reinforced hose. For mounting on floor.



Part No	Media	Dimension	Inlet	Outlet	Maximum working pressure	Hose length
25885	Oil/Diesel	37,5 (1 1/2") mm (inch)	1 1/2" (F) BSP	1 1/2" (F) BSP	2,0 (20) MPa (bar)	15 m
25805	Oil/Diesel	37,5 (1 1/2") mm (inch)	1 1/2" (F) BSP	1 1/2" (F) BSP	2,0 (20) MPa (bar)	15 m max (without hose)

Series CRO

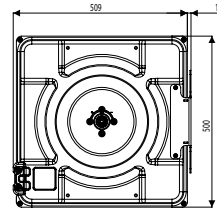
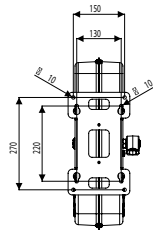
Cased hose reel made of aluminum with oil -resistant reinforced hose. Can be equipped with pivotable bracket, article no 28913. For mounting in any position on wall or ceiling. Recommended mounting height at least 2.5m above floor.



Part No	Media	Dimension	Inlet	Outlet	Maximum working pressure	Hose length
46222	Air/Water	10 (3/8") mm (inch)	1/2" (F)-(M) BSP	3/8" (M) BSP	2,0 (20) MPa (bar)	10 m
46225	Air/Water	10 (3/8") mm (inch)	1/2" (F)-(M) BSP	3/8" (M) BSP	2,0 (20) MPa (bar)	15 m
46235	Air/Water	12,5 (1/2") mm (inch)	1/2" (F)-(M) BSP	1/2" (M) BSP	2,0 (20) MPa (bar)	15 m
26232	Oil/Air	12,5 (1/2") mm (inch)	1/2" (F)-(M) BSP	1/2" (F)-(M) BSP	10 (100) MPa (bar)	10 m
26235	Oil/Air	12,5 (1/2") mm (inch)	1/2" (F)-(M) BSP	1/2" (F)-(M) BSP	10 (100) MPa (bar)	15 m
16212	Grease	6,35 (1/4") mm (inch)	1/4" (F)-(M) BSP	1/4" (M) BSP	35 (350) MPa (bar)	10 m
16225	Grease	10 (3/8") mm (inch)	3/8" (F)-(M) BSP	1/4" (M) BSP	35 (350) MPa (bar)	15 m
56225	Hot water	10 (3/8") mm (inch)	3/8" (F)-(M) BSP	3/8" (F)-(M) BSP	17 (170) MPa (bar)	15 m
66232	Windscreen fluid/Degreaser	12,5 (1/2") mm (inch)	1/2" (F)-(M) BSP	1/2" (F)-(M) BSP	7,5 (75) MPa (bar)	10 m
66235	Windscreen fluid/Degreaser	12,5 (1/2") mm (inch)	1/2" (F)-(M) BSP	1/2" (F)-(M) BSP	7,5 (75) MPa (bar)	15 m
36241	Waste oil	16 (5/8") mm (inch)	1/2" (F) BSP	1/2" (F)-(M) BSP		6 m
76232	AdBlue®	12,5 (1/2") mm (inch)	1/2" (F)-(M) BSP	1/2" (F)-(M) BSP	1,5 (15) MPa (bar)	10 m
76235	AdBlue®	12,5 (1/2") mm (inch)	1/2" (F)-(M) BSP	1/2" (F)-(M) BSP	1,5 (15) MPa (bar)	15 m
26205	Oil/Air		1/2" (M) BSP	1/2" (M) BSP	10 (100) MPa (bar)	15 m max (without hose)

Series CRK

Cased hose reel made of lacquered steel sheet with oil -resistant reinforced hose. Can be equipped with pivotable bracket, article no 28913. For mounting in any position on wall or ceiling. Recommended mounting height at least 2.5m above floor.

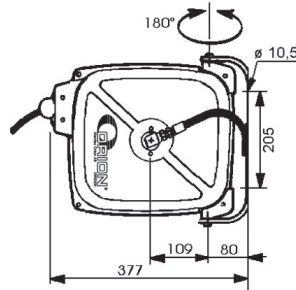


28913

Part No	Media	Dimension	Inlet	Outlet	Maximum working pressure	Hose length
46422	Air/Water	10 (3/8") mm (inch)	1/2" - 3/8" (F)-(M) BSP	3/8" (M) BSP	2,0 (20) MPa (bar)	10 m
46425	Air/Water	10 (3/8") mm (inch)	1/2" - 3/8" (F)-(M) BSP	3/8" (M) BSP	2,0 (20) MPa (bar)	15 m
46435	Air/Water	12,5 (1/2") mm (inch)	1/2" (F)-(M) BSP	1/2" (M) BSP	2,0 (20) MPa (bar)	15 m
26432	Oil/Air	12,5 (1/2") mm (inch)	1/2" (F)-(M) BSP	1/2" (F)-(M) BSP	9,0 (90) MPa (bar)	10 m
26435	Oil/Air	12,5 (1/2") mm (inch)	1/2" (F)-(M) BSP	1/2" (F)-(M) BSP	9,0 (90) MPa (bar)	15 m
16412	Grease	6,35 (1/4") mm (inch)	1/4" (F)-(M) BSP	1/4" (M) BSP	35 (350) MPa (bar)	10 m
16425	Grease	10 (3/8") mm (inch)	3/8" (F)-(M) BSP	1/4" (M) BSPT	35 (350) MPa (bar)	15 m
56425	Hot water	10 (3/8") mm (inch)	3/8" (F)-(M) BSP	3/8" (F)-(M) BSP	17 (170) MPa (bar)	15 m
66432	Windscreen fluid/Degreaser	12,5 (1/2") mm (inch)	1/2" (F)-(M) BSP	1/2" (F)-(M) BSP	7,5 (75) MPa (bar)	10 m
66435	Windscreen fluid/Degreaser	12,5 (1/2") mm (inch)	1/2" (F)-(M) BSP	1/2" (F)-(M) BSP	7,5 (75) MPa (bar)	15 m
36441	Waste oil/Diesel	16 (5/8") mm (inch)	1/2" (F) BSP	1/2" (F)-(M) BSP		6 m
76432	AdBlue®	12,5 (1/2") mm (inch)	1/2" (F)-(M) BSP	1/2" (F)-(M) BSP	3,0 (30) MPa (bar)	10 m
76435	AdBlue®	12,5 (1/2") mm (inch)	1/2" (F)-(M) BSP	1/2" (F)-(M) BSP	3,0 (30) MPa (bar)	15 m
26405	Oil/Air		1/2" (M) BSP	1/2" (M) BSP	9 (90) MPa (bar)	15 m max (without hose)
46405	Air/Water		1/2" (M) BSP	12,5 (1/2") mm (inch)	2,0 (20) MPa (bar)	15 m max (without hose)

Series CRS

Small enclosed hose reel made of lacquered steel sheet with oil -resistant hose. Equipped with pivotable bracket for mounting in optional position on wall or ceiling.



Part No	Model	Media	Dimension	Inlet	Outlet	Maximum working pressure	Hose length
46715	Hose Reel CRS black extra flexible composite hose and metal swivel Air/Water 8 (5/16") mm (inch) 15 m	Air/Water	8 (5/16") mm (inch)	3/8" (F)-(M) BSP	3/8" (M) BSP	2,0 (20) MPa (bar)	15 m
46315	Hose Reel CRS blue composite hose and plastic swivel Air/Water 8 (5/16") mm (inch) 15 m	Air/Water	8 (5/16") mm (inch)	8 (5/16") mm (inch)	1/4" (M) BSP	2,0 (20) MPa (bar)	15 m
46724	Hose Reel CRS black extra flexible composite hose and metal swivel Air/Water 10 (3/8") mm (inch) 12 m	Air/Water	10 (3/8") mm (inch)	3/8" (F)-(M) BSP	3/8" (M) BSP	2,0 (20) MPa (bar)	12 m
46324	Hose Reel CRS blue composite hose and plastic swivel Air/Water 10 (3/8") mm (inch) 12 m	Air/Water	10 (3/8") mm (inch)	8 (5/16") mm (inch)	3/8" (M) BSP	2,0 (20) MPa (bar)	12 m

Electric cable reels

Electric cable reels with impact resistant plastic covers. Supplied with earth connection and cable.

Part No	Model	Capacity	Cable
53611	Cable Reel Electric 6 m 230 V AC	2000 W	HO5VV-F 3x1,5 mm ²
53621	Cable Reel Electric 10 m 230 V AC	2000 W	HO5VV-F 3x1,5 mm ²
53631	Cable Reel Electric 15 m 230 V AC	2000 W	HO5VV-F 3x1,5 mm ²
53641	Cable Reel Electric 20 m 230 V AC	3500 W	HO5VV-F 3x2,5 mm ²
53640	Cable Reel Electric 20 m 400 V AC	3000 W	H07RN-F 5x1,5 mm ²
53650	Cable Reel LAN 15M		CAT 5E
53635	Slow motion unit for 53631		



Pivoting wall bracket for hose reels

Part No	Model
28913	Pivoting Wall Bracket



Mounting rack

Mounting racks are used to facilitate the mounting of several hose reels. Time is reduced and the work can easily be done by one person. Pre-drilled holes for ORM, ORS, ORL, CRK and CRO reels.



Part No	Model	Dimension
92182	Mounting rack for two hose reels.	550 x 310 x 60 mm
92183	Mounting rack for three hose reels.	825 x 310 x 60 mm
92185	Mounting rack for five hose reels.	1375 x 310 x 60 mm

Support post for hose reels

To mount one or two reels (side by side). Easy to assemble. Pre-drilled holes for ORM, ORS, CRK, CRO reels.

Part No	Dimension
92170	2400 x 400 x 320 mm



Service stands for 3 or 5 Reels

Standard service stand, for up to five hose reels, manufactured in grey laquered steel. Pre-drilled holes for ORM, ORS, ORL, CRK and CRO reels. The stand is delivered complete as per picture.

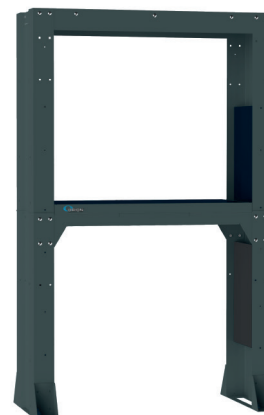
Part No	Model	Dimension
92173	Service stand for up to 3 hose reels.	2220 x 1200 x 400 mm
92175	Service stand for up to 5 hose reels.	2220 x 1750 x 400 mm



Service stand

Standard service stand, for up to six hose reels, manufactured in grey laquered steel. The stand has a drip tray. Pre-drilled holes for ORM, ORS, CRK and CRO reels.

Part No	Model	Dimension
92190	Service stand for up to 6 hose reels. Pre-drilled holes for ORM, ORS and CRK reels	2600 x 1543 x 760 mm
92192	Service stand for up to 6 hose reels. Wide model. Pre-drilled holes for ORM, ORS, CRK and CRO reels	2600 x 1972 x 760 mm
92194	Bracket for an exhaust hose reel for service stand 92190 and 92192.	1110 mm
92195	Bracket for 2 extra hose reels, for service stand 92192 and 92190	555 mm
92193	Height extension kit for service stand 92190 and 92192	500 mm



Service tower, large

The workshop tower (height 3,5 m) can be equipped with a variety of product and provides a single source center for oil, grease, antifreeze, air and exhaust systems. Supplied without equipment. Pre-drilled holes for the following hose reel series: CRK, ORM, ORS, ORL and CRO.

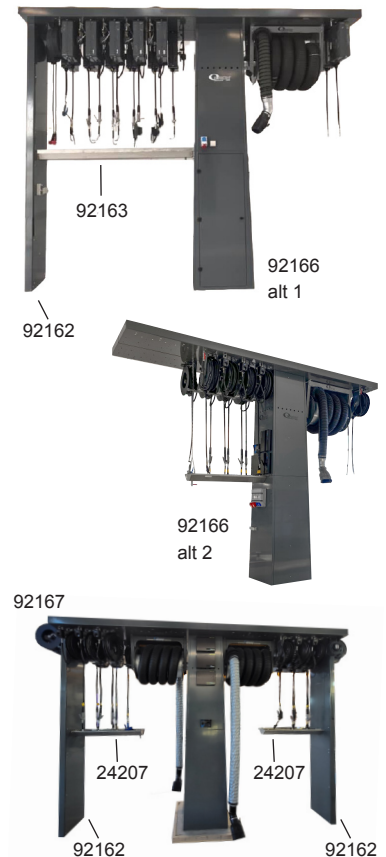
Part No	Model	Dimension
92165	Service tower for one exhaust reel	3580 x 2350 x 1650 mm
92169	Service tower for two exhaust hose reels.	3580 x 3000 x 1650 mm
92124	Concrete fastener (floor bracket), for service tower, galvanized	850 x 850 mm



Service tower, large (narrow model)

The workshop tower (height 3,5 m) can be equipped with a variety of product and provides a single source center for oil, grease, antifreeze, air and exhaust systems. Supplied without equipment. Pre-drilled holes for the following hose reel series: CRK, ORM, ORS, ORL and CRO.

Part No	Model	Dimension
92166	Service Tower Narrow Head for 1 Exhaust Reel	3620 x 4420 x 1100 mm
92167	Complete service tower incl roof, for 2 exhaust reels	3620 x 5120 x 1100 mm
92162	End Plate For Narrow Head	3500 x 550 x 101 mm
92163	Drip Pan L=2085 mm, for service tower 92166	2085 x 400 x 185 mm
24207	Drip pan ceiling mounted with chains 2m x 4 pcs (included), length 1250 mm, for service tower 92167	1250 x 290 x 180
92124	Concrete fastener (floor bracket), for service tower, galvanized	850 x 850 mm



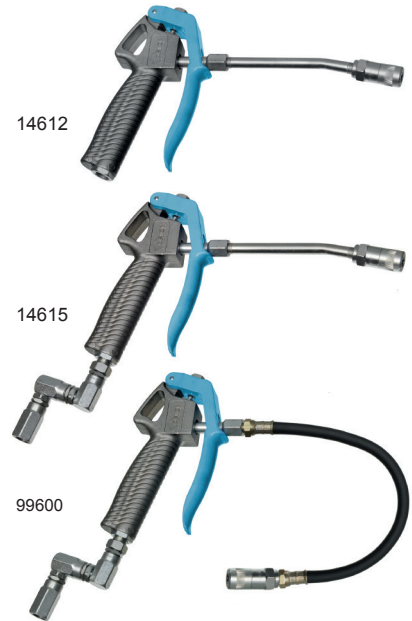
9 Hose end control

Grease control valve.....	92
Water and antifreeze control valves	93
Detergent.....	94
Blow gun & tyre inflators.....	94
Diesel nozzles	94
AdBlue [®] nozzles	95
Oil & glycol control valves.....	96
Control valve and hose end meter high-flow	96
Mechanical hose end meter	97
Digital hose end meter.....	98
Accessories for hose end control valves	98
Line meters.....	99

Grease control valve

Control valve with outlet tube or hose and hydraulic nozzle.

Part No	Maximum working pressure	Connection
14612	50 (500) MPa (bar)	1/4" (F) BSP
14615	50 (500) MPa (bar)	1/4" (F) BSP
99600	50 (500) MPa (bar)	1/4" (F) BSP



Grease meter

Digital grease meter, equipped with current dispense display and resettable and non-resettable totalisors. Digital display powered by two 1,5 V AAA batteries. Accuracy +/- 3 %.

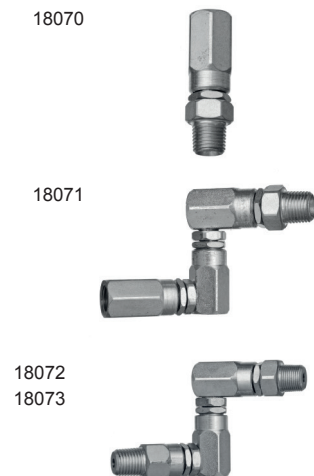
Part No	Capacity	Maximum working pressure	Connection
14720	1000 gr/min	50 (500) MPa (bar)	1/4" (F) BSP
14740	2500 gr/min	70 (700) MPa (bar)	1/8" (F) BSP



Swivels for grease

Makes it possible to handle grease hoses with ease even at high pressure. For best results use a straight swivel between pump and distribution hose and a Z-swivel between hose and grease control valve.

Part No	Thread	Maximum working pressure
18070	1/4" (F)-(M) BSP	50 (500) MPa (bar)
18071	1/4" (F)-(M) BSP	50 (500) MPa (bar)
18072	1/4" - 1/2"-27 (M) NPT	50 (500) MPa (bar)
18073	1/4" - 1/8" (F)-(M) BSP	50 (500) MPa (bar)



Outlet hoses for grease control valves

High pressure hose, 4,8 mm i.d. nitrile rubber with one polyester braid PN 40 MPa (400 bar) and swaged couplings.

Part No	Thread	Length
14042	1/8" (M) BSPT	200 mm
14043	1/8" (M) BSPT	300 mm
14044	1/8" (M) BSPT	450 mm
14047	1/8" (M) BSPT	1000 mm
14052	1/8" (M) BSPT	2500 mm



Water control valve

Part No	Connection
24105	1/4" (F) BSP
2410564	3/8" (F) BSP
2410561	1/2" (F) BSP
24106	1/4" (F) BSP
2410664	3/8" (F) BSP
2410661	1/2" (F) BSP



Control valve for water based fluids

Lockable in closed and filling position. For AdBlue®, washer fluid, glycol, brake fluid, detergents.

Technical data
Capacity 30 l/min free flow
Maximum working pressure 5,0 (50) MPa (bar)
Connection 1/2" (F) BSP

Part No	Model
20205	Control valve soft-closing for fluids, lockable with stainless swivel without outlet pipe 1/2" (F) BSP
20215	Control valve soft-closing for fluids, lockable with straight outlet hose 1/2" (F) BSP
20255	Control valve soft-closing for fluids, lockable with 60° outlet pipe 1/2" (F) BSP
20277	Control valve soft-closing for fluids, lockable with stainless swivel with outlet hose 90° with stainless steel connections and manual non-drip nozzle 1/2" (F) BSP
2285467	Outlet 90° with manual non-drip 1/2" (M) BSP



Hose end meter for water based fluids

Digital hose end meter for water based fluids, powered by 2 replaceable AAA 1,5 V alkaline batteries. The meter is fitted with a special flexible rubber outlet to prevent foaming. Flow range: 5 to 15 l/min. Max work pressure: 4 MPa (40 bar).

Technical data
Connection 1/2" (F) BSP

Part No	Model	Capacity	Maximum working pressure
20210	Digital hose end meter soft-closing for fluids, lockable with straight outlet hose 1/2" (F) BSP	30 l/min free flow	3,0 (30) MPa (bar)
25052	Digital inline-meter G1/2"(f) PVC	1 - 50 l/min free flow	3,0 (30) MPa (bar)
25051	Digital inline-meter G1/2"(f) stainless steel	1 - 50 l/min free flow	10 (100) MPa (bar)



Wash handle

Technical data

Maximum pressure	3 (30) MPa (bar)
Connection	1/2" (F) BSP

Part No

28367



Spray handle with spray tube, brass

Designed for use with detergents. Consists of a brass valve body with brass outlet tube and two nozzles, one with an adjustable spray pattern.

Part No	Maximum working pressure	Length	Connection
24108	3,5 (35) MPa (bar)	720 mm	3/8" (F) BSP



Spray handle with spray tube

Designed for use with detergents. Consists of a thermoplastic valve body (24680) with an brass or stainless steel outlet tube. Two different spray nozzles for water and petroleum based detergents.

Part No	Outlet	Length	Connection
24098	Brass	500 mm	1/2" (F) BSP
24099	Brass	915 mm	1/2" (F) BSP
24225	Stainless steel	1000 mm	1/2" (F) BSP



Blow gun

Blow gun for efficient cleaning, made of impact resistant plastic with ergonomically designed handle. Tube length approx. 100 mm

Part No	Connection
44503	1/4" (F) BSP



Diesel nozzles

Part No	Model	Capacity	Connection
23605	Automatic nozzle diesel	60 l/min free flow	1" (F) BSP
23608	Automatic Nozzle Diesel	80 l/min free flow	1" (F) BSP
23606	Manual Diesel Nozzle	100 l/min free flow	1" (F) BSP
23604	Swivel Diesel 3/4"(m)-1"(f) for 23605		
23607	Inlet Swivel Diesel for G1"(f) Nozzles.		

23605



23606



AdBlue® nozzles

Part No	Model	Capacity	Connection
70215	Control valve soft-closing for AdBlue®, lockable with straight outlet hose 1/2" (F) BSP	30 l/min free flow	1/2" (F) BSP
75203	Nozzle Manual Adblue®	80 l/min free flow	ø19 mm
23580	Nozzle manual AdBlue® with swivel	90 l/min free flow	1" (F) BSP
23577	Nozzle automatic AdBlue® with swivel	45 l/min free flow	19 (3/4") mm (inch)
75204	Nozzle Automatic AdBlue® with swivel	45 l/min free flow	1/2" (M) BSP
75200	Nozzle automatic Adblue®, with swivel and magnetic mis-filling device	45 l/min free flow	19 (3/4") Ø mm (inch)
75201	Nozzle automatic Adblue® Elaflex with swivel	10 l/min free flow	1" (M) BSP
75202	Nozzle automatic Adblue®, with swivel	10 l/min free flow	19 (3/4") mm (inch)
75205	Nozzle automatic for Adblue®, with swivel	10 l/min free flow	1/2" (M) BSP
75211	Sleeve G1"(f) Stainless Steel		1" (F) BSP
75210	Swivel Chem 1/2" - 1" (M)-(M) BSP Stainless steel		1/2" - 1" (M)-(M) BSP



AdBlue® hose end meter

Technical data

Capacity 30 l/min free flow
 Maximum working pressure 3,0 (30) MPa (bar)
 Connection 1/2" (F) BSP

Part No	Model
70210	Digital hose end meter soft-closing for AdBlue®, lockable with straight outlet hose 1/2" (F) BSP



AdBlue® meter

AdBlue® meter with big display for simple installation. The meter can be installed directly on the control valve or at the end of the hose. The meter is powered by two batteries which can be easily replaced.

Part No	Model	Capacity	Maximum working pressure	Connection
24759	Digital turbine meter 1" (F) BSP	5-120 l/min free flow	1,0 (10) MPa (bar)	1" (F) BSP
25052	Digital inline-meter G1/2"(f) PVC	1 - 50 l/min free flow	3,0 (30) MPa (bar)	1/2" (F) BSP
25051	Digital inline-meter G1/2"(f) stainless steel	1 - 50 l/min free flow	10 (100) MPa (bar)	1/2" (F) BSP



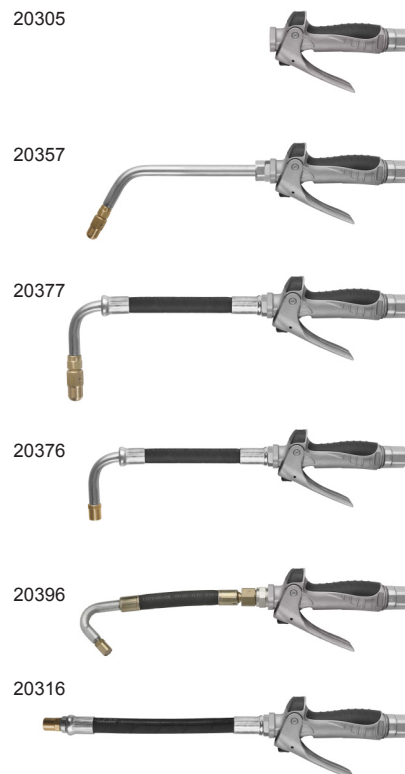
Oil control valve

Control valves made of aluminum with large flow capacity. Ball bearing swivel and built in strainer.

Technical data

Capacity	40 l/min free flow
Maximum working pressure	10 (100) MPa (bar)
Connection	1/2" (F) BSP

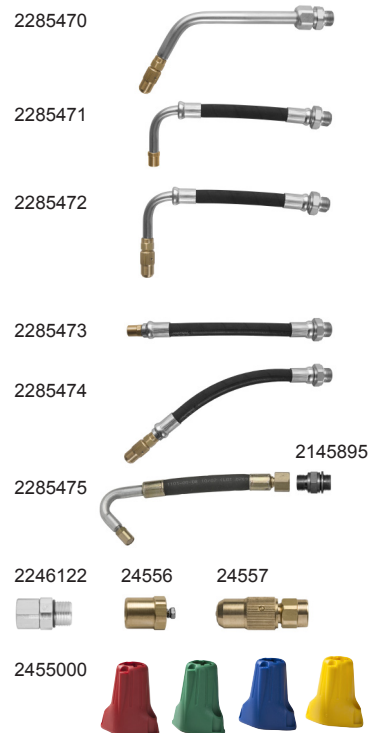
Part No	Model
20305	Oil control valve without outlet tube 1/2" (F) BSP
20357	Oil control valve, 60° pipe, manual non-drip nozzle 1/2" (F) BSP
20377	Oil control valve 90° hose manual non-drip 1/2" (F) BSP
20376	Oil control valve 90° hose automatic non-drip 1/2" (F) BSP
20396	Oil control valve 135° hose automatic non-drip 1/2" (F) BSP
20316	Oil control valve, straight hose, automatic non-drip nozzle 1/2" (F) BSP



Outlet hoses and accessories for above oil control valve

Thread for non-drip: G1/4"

Part No	Model	Connection
2285470	Rigid outlet 60° manual non-drip	1/2" (M) BSP
2285479	Rigid outlet 60° Automatic non-drip	1/2" (M) BSP
2285471	Hose outlet 90° oil automatic non-drip	1/2" (M) BSP
2285472	Hose outlet 90° oil manual non-drip	1/2" (M) BSP
2285473	Hose outlet straight oil automatic non-drip	1/2" (M) BSP
2285474	Hose outlet straight mouldable with manual non-drip nozzle	1/2" (M) BSP
2285475	Hose outlet 135° oil automatic non-drip	1/2" (F) BSP
2145895	Adaptor G1/2(m) - G1/2"(m) with washer for use to connect outlets.	1/2" (M)-(M) BSP
2246122	Inlet swivel G1/2"(f)-M24(m)	1/2" (F)-(M) BSP
24556	Non-drip nozzle. Fully automatic opening and closing	1/4" (F) BSP
24557	Non-drip nozzle. Lockable. Opened and closed manually by 90° turn	1/4" (F) BSP
2455000	Set of four color coded protectors	



Control valve high-flow

High volume oil control valve for high flow of lubricants. Two-valve operation. Lockable trigger. Ball bearing swivel. Rigid outlet with semiautomatic non-drip nozzle.

Part No	Capacity	Maximum working pressure	Connection
24567	70 l/min free flow	10 (100) MPa (bar)	3/4" (F) BSP
24568	70 l/min free flow	10 (100) MPa (bar)	3/4" (F) BSP



Digital hose end meter high-flow

Part No	Capacity	Maximum working pressure	Connection
24756	70 l/min free flow	10 (100) MPa (bar)	3/4" (F) BSP
24757	70 l/min free flow	10 (100) MPa (bar)	3/4" (F) BSP



Mechanical hose end meter

Very robust rotary-piston type Hose End Meter including swivel, valve handle, inlet strainer, outlet hose and non-drip nozzle.

Functions:

- Resettable trip meter
- Non-resettable 5 digit totaliser display
- Accuracy +/- 0,65%
- No batteries required, environmental friendly
- Trigger can be locked in open position
- Scale 0-10L

Technical data

Media	Oil/Glycol
Capacity	2 - 20 l/min free flow
Maximum working pressure	10 (100) MPa (bar)
Connection	1/2" (F) BSP

Part No	Model
24792	Mechanical hose end meter with outlet hose and automatic non-drip 1/2" (F) BSP
24793	Mechanical hose end meter with formable outlet hose and lockable manual non-drip nozzle 1/2" (F) BSP



Pre-set mechanical hose end meter

Very robust rotary-piston type Hose End Meter including swivel, valve handle, inlet strainer, outlet hose and non-drip nozzle. For automatic operation set the dial pointer to the quantity needed, actuate the trigger for automatic latching and the valve will deliver exactly the volume required and then shut off.

Functions:

- 5 digit display
- Resettable trip meter
- Non resettable totaliser
- Accuracy ±0,65%
- No batteries required, Environment friendly
- Scale 0-60L

Technical data

Capacity	2 - 30 l/min free flow
Maximum working pressure	10 (100) MPa (bar)
Connection	1/2" (F) BSP

Part No
24797



Digital hose end meter

Functions:

- For measuring oil and glycol
- 5 digit display
- Resettable trip meter
- Non resettable totaliser
- Easy calibration (accuracy $\pm 0,5\%$)
- Simple battery change
- Trigger lock
- Fluid compability: All types of mineral and synthetic lubricants up to 140SAE (5-5.000 mPa/s)
- Battery: 2 x LR03 Alkaline - 7.000 hours average life

Technical data

Capacity	1 - 30 l/min free flow
Maximum working pressure	10,0 (100) MPa (bar)
Accuracy	0,5 % \pm
Connection	1/2" (F) BSP

Part No	Model
20300	Digital hose end meter without outlet hose 1/2" (F) BSP Oil/Glycol
20371	Digital hose end meter with 90° hose, automatic non-drip 1/2" (F) BSP Oil/Glycol
20372	Digital hose end meter with 90° hose, manual non-drip 1/2" (F) BSP Oil/Glycol
20352	Digital hose end meter with 60° pipe manual non-drip 1/2" (F) BSP Oil/Glycol
20391	Digital hose end meter with 135° hose, automatic non-drip nozzle 1/2" (F) BSP Oil/Glycol
20322	Digital hose end meter with formable hose, manual non-drip nozzle 1/2" (F) BSP Oil/Glycol

20300



20371



20372



20352



20391



20322



Preset digital hose end meter

Digital pre-set oil/antifreeze meter, featuring a mechanism which, when activated, automatically shuts off the valve when the desired volume is reached. Can be used with oil or antifreeze.

- Simply and intuitive to use, it has a large display with 6 buttons
- Ergonomic four finger trigger with lock function
- Powered by 4 AA-batteries
- Light and robust, handle is made of cast aluminium and the display is surrounded by shock resistant TPE
- Several models with different outlets available to suit every application

Technical data

Capacity	0,8-30 l/min free flow
Maximum working pressure	10,0 (100) MPa (bar)
Connection	1/2" (F) BSP

Part No	Model
20400	Digital hand meter pre-set without outlet hose 1/2" (F) BSP Oil/Glycol
20422	Digital hand meter pre-set with malleable hose, manual non-drip 1/2" (F) BSP Oil/Glycol
20452	Digital hand meter pre-set with 60° outlet tube, manual non-drip 1/2" (F) BSP Oil/Glycol
20471	Digital hand meter pre-set with 90° outlet hose, automatic non-drip 1/2" (F) BSP Oil/Glycol
20472	Digital hand meter pre-set with 90° outlet hose, manual non-drip 1/2" (F) BSP Oil/Glycol
20491	Digital hand meter pre-set with 135° outlet hose, automatic non-drip 1/2" (F) BSP Oil/Glycol

20472



20422



20452



Drip holsters

To protect hose end meters and control valves when not in use and to collect any drips.

Part No	Model
29090	Drip holster. Standard
29086	Drip holster with separate drip container.
29055	Drip holster for drums

Digital line meter for oil, glycol & diesel

Functions:

- For oil and glycol (meters 25055 and 25057 also for diesel)
- 5 digit display
- Resettable trip meter
- Non resettable totaliser
- Easy calibration (accuracy 0,5%)
- Simple battery change
- Battery: 2 x LR03 Alkaline - 7.000 hours life time

Technical data

Accuracy 0,5 % ±

Part No	Model	Capacity	Maximum working pressure	Connection
25050	Digital inline meter G1/2"(f) aluminium	1 - 20 l/min free flow	10,0 (100) MPa (bar)	1/2" (F) BSP
25051	Digital inline-meter G1/2"(f) stainless steel	1 - 50 l/min free flow	10 (100) MPa (bar)	1/2" (F) BSP
25052	Digital inline-meter G1/2"(f) PVC	1 - 50 l/min free flow	3,0 (30) MPa (bar)	1/2" (F) BSP
25055	Digital inline meter G3/4"(f) aluminium	8 - 80 l/min free flow	7,0 (70) MPa (bar)	3/4" (F) BSP
25057	Digital inline meter G1"(f) aluminium	8 - 80 l/min free flow	10,0 (100) MPa (bar)	1" (F) BSP

25050



25051



25052



25055



Line meter, mechanical for oil or glycol

Functions:

- Resettable trip meter
- Non resettable totaliser
- Accuracy ±0,65%
- No batteries needed
- Scale 0-10L

Technical data

Maximum working pressure 10 (100) MPa (bar)

Accuracy 0,65 % ±

Connection 1/2" (F) BSP

Part No	Media
24778	Oil
24779	Glycol

24778



Pulse meter for oil, glycol & diesel

Line meter with pulse transmitter output. Only for connection to monitoring systems (OriLink® / NEX-U®). Equipped with connection terminal and reel open indication light. This meter does not have a display or function buttons.

Technical data

Media Oil/Glycol

Maximum working pressure 6,0 (60) MPa (bar)

Accuracy 0,5 % ±

Part No	Capacity	PPU	Material	Connection
25060	1 - 30 l/min free flow	328	Aluminium	1/2" (F) BSP
25065	8 - 80 l/min free flow	109	Aluminium	3/4" (F) BSP
25160	1 - 30 l/min free flow	328		1/2" (F) BSP
25161	1 - 50 l/min free flow	320		1/2" (F) BSP

25060



25065



Integrated meter module

Compact integrated meter unit with oval gear meter, solenoid valve and strainer. Can be ordered with 5 m pre-assembled cable.



Technical data

Media	Oil
Capacity	30 l/min free flow
Maximum working pressure	10 (100) MPa (bar)
Voltage	24 V DC
Accuracy	0,5 % ±
Connection	1/2" (F) BSP

Part No	PPU	Cable length
29830	328	- m
29831	328	5 m

Pulse meter for windscreen fluids & AdBlue®

Line meter with pulse transmitter output. Only for connection to monitoring systems (OriLink® / NEX·U·®). Equipped with connection terminal and reel open indication light. This meter does not have a display or function buttons.



Technical data

Media	Windscreen fluid/AdBlue®/Fluids
Capacity	1 - 50 l/min free flow
Accuracy	0,5 % ±
Connection	1/2" (F) BSP

Part No	Maximum working pressure	PPU	Material
25061	6,0 (60) MPa (bar)	328	Stainless steel
25062	3,0 (30) MPa (bar)	320	PVC
25160	6,0 (60) MPa (bar)	328	
25161	6,0 (60) MPa (bar)	320	

Pulse meter for grease

Line meter with pulse transmitter output. Only for connection to monitoring systems. This meter does not have a display or function buttons.

Technical data

Maximum working pressure	70 (700) MPa (bar)
PPU	1100

Part No	Capacity	Connection
14745	2500 gr/min	1/8" (F) BSP



10 Monitoring

NEX·U· [®]	104
---------------------------	-----

WHAT IS NEX-U®?

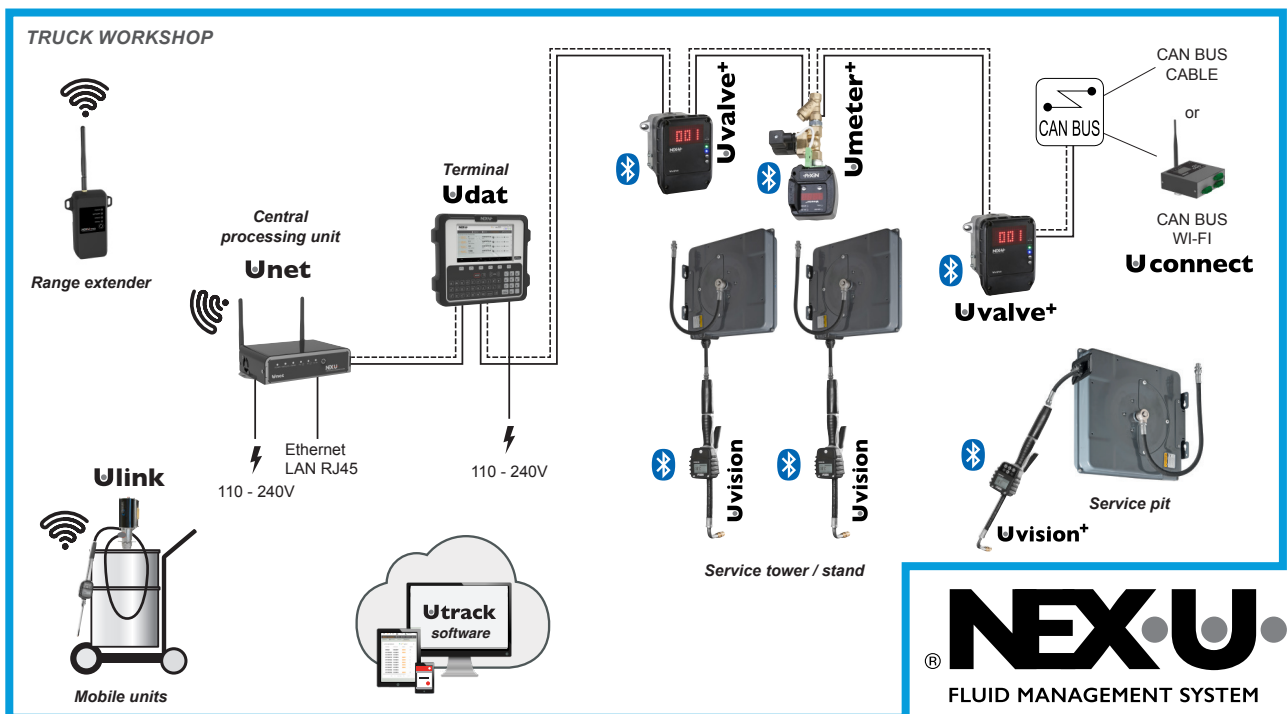
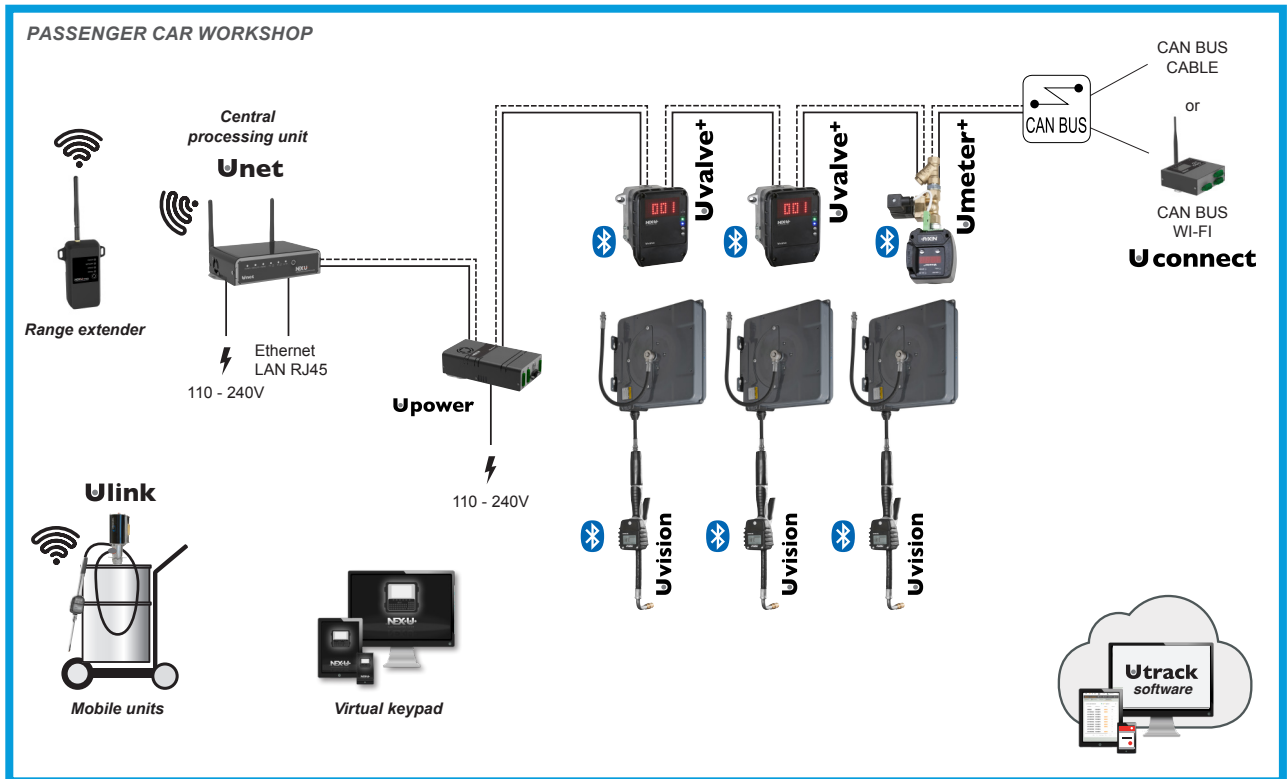
NEX-U® provides you with the control and the information you require to make your operation more profitable. You will be able to account for every drop of lubricant and other service fluid used.

On top of this, you will carry an efficient inventory control, with automatic alerts and fluid reordering when needed, eliminating operations downtime.

For almost any lubricant usage or operation size, with today's high cost for these fluids, NEX-U® quickly pays for itself. Once it is paid for, savings go right to the operation's bottom line in the form of profit, profit previously lost. NEX-U® adapts to your way of working.

INSTALLATION EXAMPLES

NEX-U® provides maximum flexibility in the way the user interacts with the system, the most effective connection method and enhanced reporting capability.



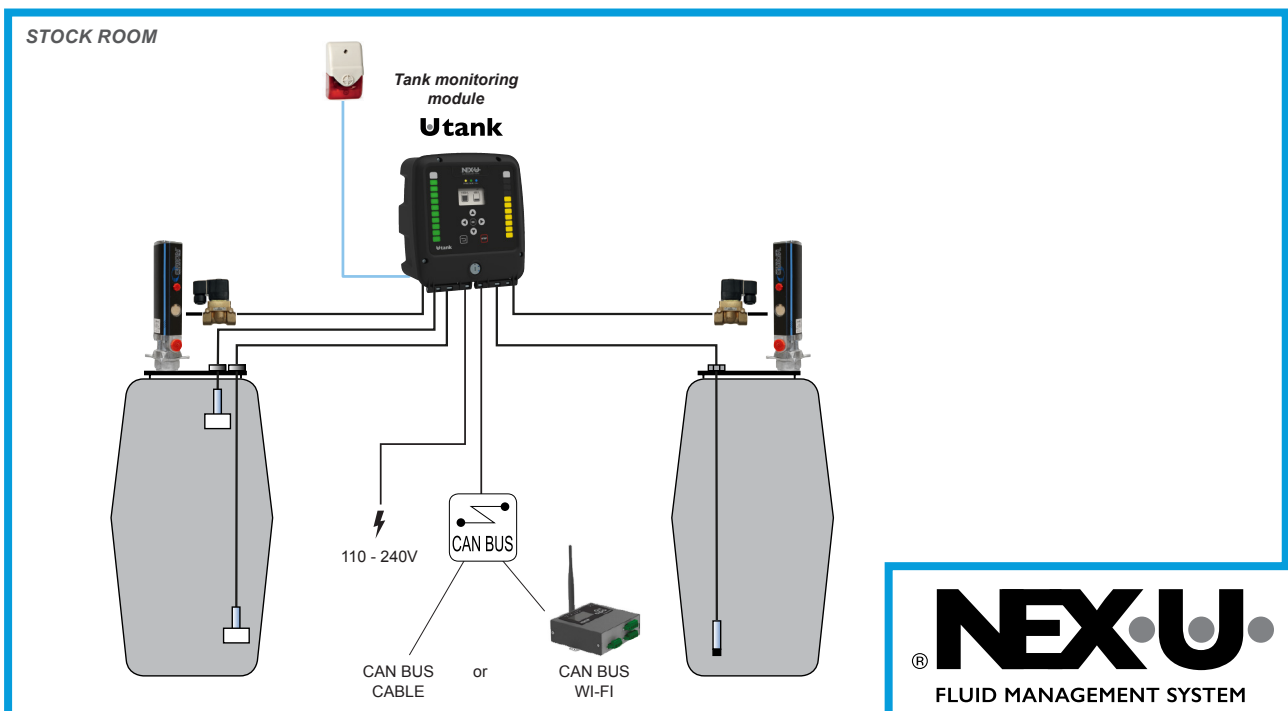
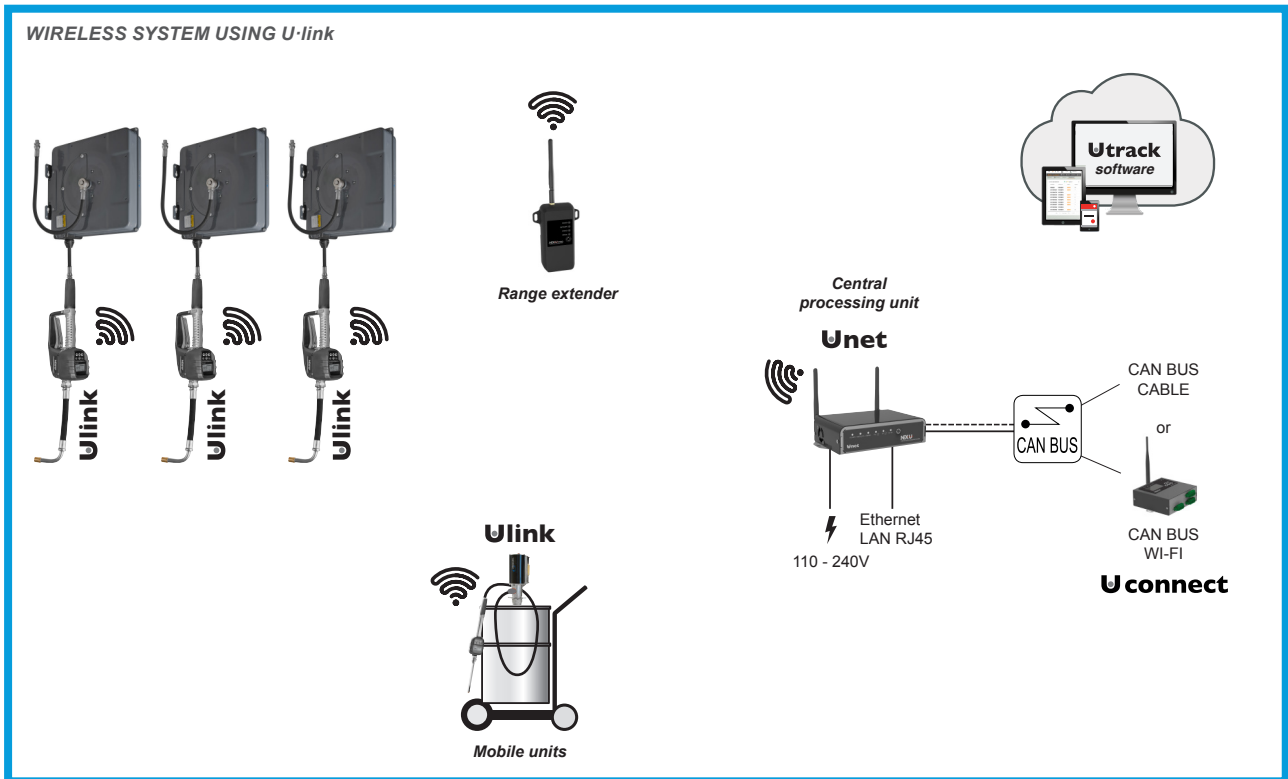
NEX·U® is a hybrid system that brings you all the advantages of wireless flexibility and hard-wired reliability:

Wireless flexibility

- Data can be transmitted wirelessly among the different system components, eliminating long and expensive cable runs.
- Easily adds new components when required as your needs grow.
- System uses existing Wi-Fi® networks, simplifying its installation. No need for special, custom made, network components.

Hard-wired reliability

- A constant and reliable power source is always present to power the solenoid valves that control fluid delivery.
- No uncharged batteries to let you down.
- Hard-wired data transmission to avoid interferences and other obstacles which might interfere with wireless data transmission.



U-net Central processing unit

U-net is the key NEX·U·® component. It is the central processing unit that controls the system communications and houses the U-track software. U-net includes a powerful 2.4 GHz processor and 4 GB RAM. It controls the system functions and it manages the wired and wireless communication between the NEX·U·® components. It has two CAN BUS ports (in/out) for wired communications with other NEX·U·® components and an ethernet port that allows U-net to connect to the LAN.



Part No

23802

Virtual keypad

Virtual Keypad license. Converts any terminal (PC, laptop, tablet or smartphone) into a NEX·U·® access Keypad.



Part No

23801

U-dat System access keypad

System Access Keypad. U-dat allows system access to technicians either through a PIN code or using a RFID card. • U-dat includes a 7" full colour graphics display and a complete QWERTY keypad. • U-dat supports CAN BUS cable communications that transmits data and power to open the solenoid valves in the system. "Plug-and-play" connectors make cabling easy. • U-dat includes the transformer required to simultaneously open up to 8 solenoid valves. • U-dat requires 110 - 240 V power supply.



Part No	Model
23821	NEX·U·® U-dat Access Keypad 320W
23820	NEX·U·® U-dat Access Keypad 75W
23887	Wall Mount bracket for NEX·U·® U-dat

U-vision+ Hand-held display and keypad module

U-vision+ includes a six-button keypad and it can replace the U-dat keypad for data entry in the system as it allows the following operations: • User access through PIN entry. • Scroll through existing open job orders to select the one corresponding to each operation or enter the job order number (digits only). • Enter the volume of fluid to be dispensed. • Confirm fluid type and transaction. U-vision+ has a backlight display connected using Bluetooth® with a U-valve, U-meter+ or U-count and it displays the following parameters: U-vision+ is powered with 4 "AA" 1.5 V alkaline batteries.



Part No

23831

U-valve Complete meter unit

U-valve is a compact unit combining a high accuracy pulse meter, a solenoid valve and a large cleanable fluid screen filter with an electronic module. This module is required to control the meter and valve operation and to communicate with other system components. Reduces installation time and eliminates the risk of leaks when using separate components. It has a large, high visibility LED display which shows the U-valve number assigned in the system and the U-valve operation. Four coloured LED lights that show the U-valve operation for diagnosis and two buttons for system configuration. U-valve supports CAN BUS cable communication that transmits data and the electric power required to open the solenoid valve and Bluetooth® connection to a U-vision+ or a U-vision+ fluid handle with display. U-valve+ includes Wi-Fi® communications for data transmission to other system components. (Requires U-power or U-power+ power supply units). • U-valve and U-valve+ require 24 V DC supplied by a U-dat or a U-power module.



Part No	Model
23850	NEX·U·® U-valve Flow control unit with Bluetooth®

U-meter Pulse meter with display and status indicator

High accuracy, compact pulse meter including the electronic module required to control the meter and valve operation and to communicate with other system components through CAN BUS. The meter has an LED display showing the U-meter number assigned in the system, four coloured LED lights that show the U-meter operation for diagnosis and two buttons for system configuration. Equipped with fast connection in/out CAN BUS terminals. Available in different materials and sizes to match different applications.



Part No	Model
23860	NEX-U-® U-meter Flow meter aluminium 1/2"
23861	NEX-U-® U-meter+ Flow meter aluminium 1/2" with Bluetooth®
23866	NEX-U-® U-meter Flow meter aluminium 3/4"
23862	NEX-U-® U-meter Flow meter PVC, 1/2"
23863	NEX-U-® U-meter+ Flow meter PVC, 1/2" with Bluetooth®
23864	NEX-U-® U-meter Flow meter Stainless steel 1/2"
23865	NEX-U-® U-meter+ Flow meter Stainless steel 1/2" with Bluetooth®

U-count Fluid control module

U-count Fluid control module includes a high visibility LED display and the software required to function with the rest of the NEX-U-® system components. The LED display shows the number assigned in the system and four colour LED lights show the operation of the valve for diagnosis and two buttons for system configuration. U-count supports CAN BUS hard-wired communication that transmits data and power required to open the solenoid valve, for data communication with other system components and Bluetooth® to communicate with a U-Vision or U-Vision+ handle.



Part No
23836

U-pulser Pulse meter

U-pulser high accuracy in-line pulse meter. Equipped with connection terminal and valve open indication light. Only for connection to a U-count module. This meter does not have a display or function buttons and requires a 24 V DC solenoid valve.



Part No	Media	Capacity	Connection
25060	Oil/Glycol	1 - 30 l/min free flow	1/2" (F) BSP
25065	Oil/Glycol/Diesel	8 - 80 l/min free flow	3/4" (F) BSP
25062	Windscreen fluid/AdBlue®/Fluids	1 - 50 l/min free flow	1/2" (F) BSP
25061	Windscreen fluid/AdBlue®/Fluids	1 - 50 l/min free flow	1/2" (F) BSP
23868	Oil/Glycol/Diesel	10 - 80 l/min free flow	1" (F) BSP

U-link wireless hand meter

Digital handmeter with wireless communication to U-Net. Enables monitoring of transactions via U-track. U-link can be integrated with DMS. Includes integrated solenoid valve and RFID-module. Connection: Wireless



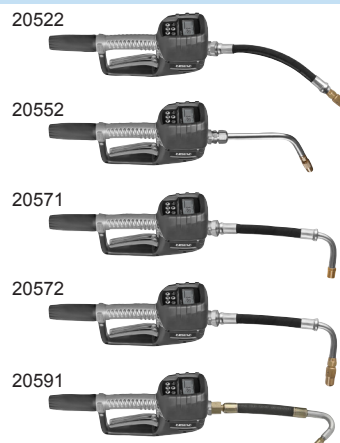
Part No
23803

U-link Wireless digital hand meter with outlet

Technical data

Capacity	1 - 20 l/min free flow
Maximum working pressure	7,0 (70) MPa (bar)
Connection	1/2" (F) BSP

Part No	Model
20522	NEX·U·® U-link Wireless digital handmeter with formable hose and manual non-drip nozzle 1/2" (F) BSP Oil/Glycol
20552	NEX·U·® U-link Wireless digital handmeter with 60° outlet pipe and manual non-drip 1/2" (F) BSP Oil/Glycol
20571	NEX·U·® U-link Wireless digital handmeter with 90° hose and automatic non-drip 1/2" (F) BSP Oil/Glycol
20572	NEX·U·® U-link Wireless digital handmeter with 90° hose and manual non-drip 1/2" (F) BSP Oil/Glycol
20591	NEX·U·® U-link Wireless digital handmeter with 135° hose and automatic non-drip 1/2" (F) BSP Oil/Glycol



Mobile oil dispenser with U-link wireless hose end meter

Consists of an oil pump 22805, 1/2" oil hose (3m) with hose end meter 20571 and drum trolley 28645.

Technical data

Dimension	1200 x 820 x 600 mm
------------------	---------------------

Part No
22190



NEX·U·® Pro extender

Used to extend the range between the existing wireless connection between U-link and U-net.

Technical data

Voltage	230 V AC
----------------	----------

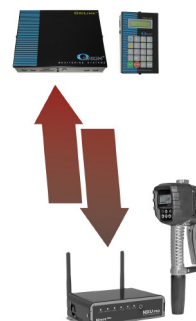
Part No
23804



Data connection between OriLink® and NEX·U·® U-link

Software to integrate U-Net and U-link into existing OriLink® installations. The integration enables you to initiate a dispense from the regular OriLink® terminal and then use the U-link to perform the dispense from, for example, a mobile dispensing unit.

Part No
23792



NEX·U·® Compact

NEX·U·® also offers solutions to smaller workshops where web based software is not needed. NEX·U·® COMPACT is a simple system based in a special U·dat keypad that is able to control a maximum of 8 dispensing points. The Keypad includes a 7" colour screen and a simplified version of the U-track software. The software included provides workshops with: • Full control of bulk stored fluid usage. • Inventory control using declining balance method. NEX·U·® Compact will give a warning signal once a certain inventory is reached, and restricts access to those outlets that have run out of inventory. • Ability to generate full reports in CSV format that can provide useful management information.

Part No	Model
23822	NEX·U·® Compact Access Keypad 75W
23823	NEX·U·® Compact Access Keypad 320W



NEX·U·® Mobile

Fluids in service trucks require similar controls to those in any service centre. NEX·U·® MOBILE allows fluid inventory and usage control in mobile service trucks. A special U·dat keypad module, which includes the software required for an autonomous operation, can control up to a maximum of 8 fluid outlets. Completed transactions can be saved to a USB memory stick in an Excel format. Requires external 24VDC power.

Part No
23824



U·vision Display

Hand-held display module to fit a Orion oil control handle. Includes a backlight display connected via Bluetooth® with a U·valve, U·meter+ or U·count module and it displays the following parameters: • Hose reel (fluid outlet number and fluid dispensed type). • Battery life and Bluetooth® signal strength. • Volume delivered and operation progress. • Solenoid valve open or closed.

Part No
23830



U·view Display

Remote, high visibility, LED display that shows the volume delivered through various U·valves (no simultaneous operation supported). U·view supports Wi-Fi® and hardwired communication. U·view requires hard-wired connection (data and power) to a U·dat keypad or to a 110 - 240 V AC power supply using a 24 V DC external transformer (U·power or U·power+).

Part No
23835



U·tank Tank level monitor module

It is a monitor module capable of controlling two tanks using digital or analogical level gauges. Can be connected to solenoid valves (max 2 pcs) to control pump operation, and to external warning devices. U·tank has two independent graphic displays and level bars. Each of them shows the inventory available in each tank. It also has a set-up keypad for inventory adjustment if required. It requires a 110 -240 V AC supply.

Part No
23829



U-meter and solenoid valve kits

U-meter and solenoid valve kits include a high precision U-meter or U-meter+ meter, a solenoid valve and a Y-strainer.

Part No	Model
23870	NEX-U-® Line meter kit for oil & antifreeze
23871	NEX-U-® Line meter kit for oil & antifreeze with Bluetooth®
23872	NEX-U-® High volume line meter kit for oil & antifreeze
23874	NEX-U-® Line meter kit for diesel
23875	NEX-U-® Line meter kit for AdBlue®
23876	NEX-U-® Line meter kit for Adblue® with Bluetooth®
23877	NEX-U-® Line meter kit for windscreen wash
23878	NEX-U-® Line meter kit for windscreen wash with Bluetooth®



Solenoid valves for fluids

NEX-U-® requires 24 V DC, normally closed solenoid valves to operate. U-valve and U-valve+ include a solenoid valve. For other metering elements, a solenoid valve compatible with the fluid and the application requirements must be used.

Part No	Media	Connection
28127	Oil/Glycol/Diesel	1/2" (F) BSP
28304	Oil/Glycol/Diesel	1" (F) BSP
28327	AdBlue®	1/2" (F) BSP
38041	Waste oil	1 1/2" (F) BSP

28127



28327



28304



38041



Solenoid valves for air - pump control

Part No	Model	Classification	Connection
48081	Solenoid valve 24V DC for air G1/2"(f).	-	1/2" (F) BSP
48059	Solenoid valve 24V DC for air G1/4"(f)	-	1/4" (F) BSP
48080	Solenoid valve 24V AC/DC Ex for air G1/4"(f). ATEX	ATEX	1/4" (F) BSP

48059



U-power Power supply

Power supply to solenoid valves and other system components. U-power connects using CAN BUS cable to a U-valve, U-valve+, U-meter, U-meter+, U-count or U-view whenever the power supplied by a U-dat keypad is not present.

Part No	Model
23826	NEX-U-® U-power Power supply 75W
23827	NEX-U-® U-power+ Power supply 320W
23828	NEX-U-® U-power+ Power supply 320W, 3 CAN bus connectors



U-connect CAN BUS to WiFi converter

U-connect allows wireless communication among the different components of the system. Equipped with an external antenna, it allows for extended signal coverage. It can be configured from a Windows or Android application.

Part No
23881



U-valve Brackets

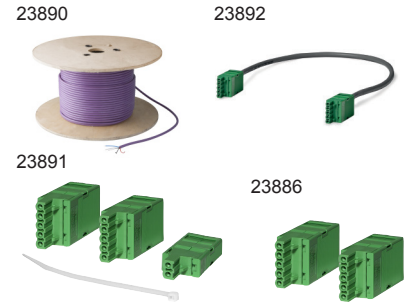
Allow fixing U-valve on top of a hose reel stand (92190).

Part No
23882



Cables

Part No	Model
23890	NEX-U® CAN bus cable
23890M25	NEX-U® CAN bus cable, 25 meter roll
23890M50	NEX-U® CAN bus cable, 50 meter roll
23890M125	NEX-U® CAN bus cable, 125 meter drum
23890M250	NEX-U® CAN bus cable, 250 meter drum
23892	NEX-U® CAN bus jumper cable 0,5m
23893	NEX-U® CAN bus jumper cable 1,0m
23891	NEX-U® U-meter Connectors set
23886	NEX-U® U-Valve Connectors set



Tank monitoring accessories

Part No	Model
23883	NEX-U® Remote flash and acoustic alarm
23197	Power supply unit with relay for waste oil pumps, enclosed 24VDC 5A - 230V, used when there are more than 2 waste oil solenoid valves in the system.



Tank level switch, 60, 200 l drums & 1.000 l containers

24 V DC 1 A.

Part No	Media	Thread	Length	Stop level	Alarm level
23171	Oil/Glycol	3/4" (M) BSP	1080 mm	30 mm	- mm
23183	Windscreen fluid/Degreaser	3/4" (M) BSP	1080 mm	30 mm	- mm
23191	Oil/Glycol	3/4" (M) BSP	1080 mm	30 mm	300 mm
23192	Windscreen fluid/AdBlue®/ Fluids	3/4" (M) BSP	1080 mm	30 mm	300 mm
2330287	Oil/Glycol/Diesel	2" (M) BSP	5000 mm	20 mm	- mm
23193	Oil/Glycol	1" (M) BSP	2000 mm	35 mm	300 mm



Level switch, waste oil

For control of waste oil tank level. Equipped with two switch levels. Other levels possible on special request. The body is equipped with a terminal strip for the connection of cables, as well as a cable strain relief.

Part No	Thread	Stop level	Alarm level
23132	2" (M) BSP	150 mm	300 mm
23154	2" (M) BSP	300 mm	450 mm



Analogue level sensor

Self calibrated against the surrounding air pressure. To be connected to the OriLink® or NEX·U® each respective tankmodule.

Part No	Media	Height
23417	Oil/Glycol	<4 m
23435	Oil/Glycol	<0,9 m
23437	Windscreen fluid	<3,5 m



11 Drum handling

Trolleys	112
Safety drum trolley.....	113
Safety pallet.....	113
Drum lift	113

Trolley for 12 kg buckets to 60 kg drums

Trolley for 12 kg to 60 kg drums with chain for holding the drum in place. Wheel diameter Ø 155 mm.

Part No	Model	Dimension
28528	Trolley for 12 kg to 60 kg drums.	300 x 390 x 1000 mm
28557	Pump bracket with G2" (f) thread	
40801327	Strap 2,0 meter long for small kegs/buckets.	



Drum trolley for 60 kg drums

Drum trolley for 60 kg drums only. With tubular drum support and a clamp screw for fixing the drum. Two swivel castors Ø 75 mm and two Ø 160 mm wheels.

Part No	Model	Dimension
28526	Trolley for 60 kg drums.	500 x 450 x 1060 mm
28557	Pump bracket with G2" (f) thread	



Drum trolley for 180 kg drums

Drum trolley for 180 kg drums with three wheels, 2 large Ø 200 mm and one support wheel Ø 100 mm, which is equipped with a brake. The handle is supplied unassembled.

Part No	Model
28645	Drum trolley for 180 kg / 208 l
28651	Pump bracket for drum trolley 28645.
28652	Reel bracket for drum trolley 28645.



Drum trolley heavy duty for 180 kg drums

Drum trolley for 180 kg drums with 3 wheels, 2 large tyres Ø 260 mm and one support wheel Ø 150 mm, equipped with a brake.

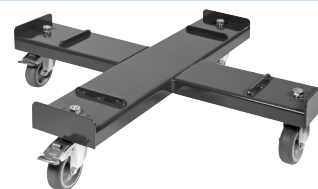
Part No	Model	Dimension
28646	Drum trolley for 180 kg drums. Heavy duty	785 x 800 x 900 mm
28667	Drum trolley heavy duty for 180 kg drums (solid wheels).	785 x 800 x 900 mm
28653	Reel bracket for drum trolley 28646 and 28667	



Drum dolly

Dolly for Ø 400 - 600 mm diameter drums, four swivel castors, two with a brake.

Part No	For container
28482	Ø 400-600 mm



Drum trolley for dusty environments

Part No	Model
25510	Protective drum cabinet and trolley for 20kg
26511	Protective drum cabinet and trolley for 50 kg



Safety drum trolley

Drum trolley for all drums up to 208 l, with two large Ø 200 mm wheels, and one swivel wheel Ø 100 mm with brake. If the drum were to start leaking, there will be no spillage on the floor or ground. When there is no area to normally park ordinary drum trolleys at the end of the day, this is the ideal solution. Perfect for service in the field in construction-, mining and marine sectors and other sensitive environments.

Part No	Model	Volume
28389	Safety drum for trolley	220 l
28393	Safety drum trolley Export	



Safety drum trolley, heavy duty

Similar to 28390, heavy duty version.

Part No	Model	Volume
28394	Safety drum trolley Export	220 l
28395	Safety drum trolley Export	220 l



Safety pallet

Safety pallet for upright drum storage, with built in spill containment. Suitable for all sizes and types of drum, the unit, which has a minimum sump capacity of 220 litre, addresses both Health and Safety and Environmental requirements.

Part No	Model	Dimension	Material
29142	Safety pallet in metal for 2 drums	1275 x 738 x 360 mm	Steel
29144	Safety pallet in plastic for 2 drums	1205 x 805 x 440 mm	Polyethylene



Hydraulic drum lift

Designed to handle steel drums on safety pallets and equipped with a pedal operated hydraulic lift. Max lift height 650mm. Dimensions: width 1045 mm, min height 1340 mm, max height 1840 mm, Lifting weight max 250kg

Part No	Height
28666	1340-1840 mm



Oil stock room

Equipment for tanks, IBC-containers, drums



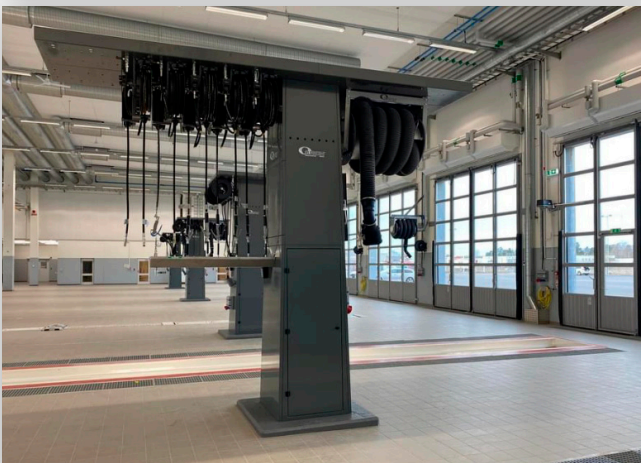
Passenger car workshops

Solutions for ceilings, walls, suspended ceilings and built in



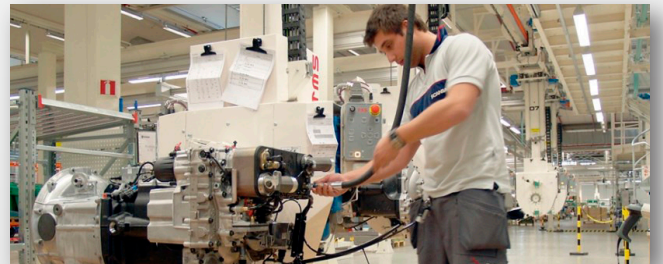
Truck and bus workshops

Solutions for ceilings, walls, pits and service towers



Industry

Custom solutions





Alentec & Orion AB

Grustagsvägen 4
SE-138 40 Älta
Sweden
Tel: +46 8 747 67 00
Fax: +46 8 715 20 74
E-mail: info@alentec.se
www.orionlube.com

Alentec Orion Ltd

Barrs Fold Road
Wingates Industrial Park
Westhoughton, BL5 3XP
United Kingdom
Tel: +44 116 284 60 40
Fax: +44 116 284 60 70
E-mail: sales@alentec-orion.co.uk
www.alentec-orion.co.uk

Orion Lube System nv/sa

Eksaardse Rijweg 236
9041 Oostakker
Belgium
Tel: +32 9 250 94 60
Fax: +32 9 250 94 69
E-mail: sales@orion-lube.be
www.orion-lube.be

Autolube Orion, S.A.S.

64, Rue du Puits Charles
58400 La Charité Sur Loire
France
Tel.: +33 3 86 60 47 75
Fax: +33 2 34 09 01 35
E-mail: info@autolubeorion.com
www.autolubeorion.com

Distributor